

8.2 Pump elements and accessories

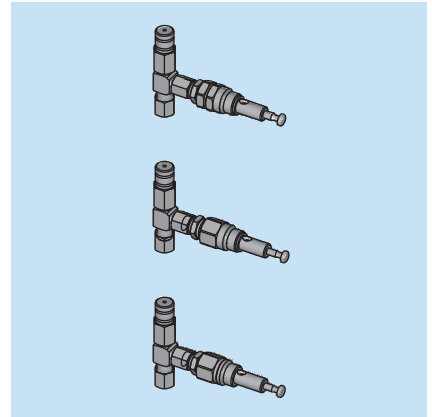
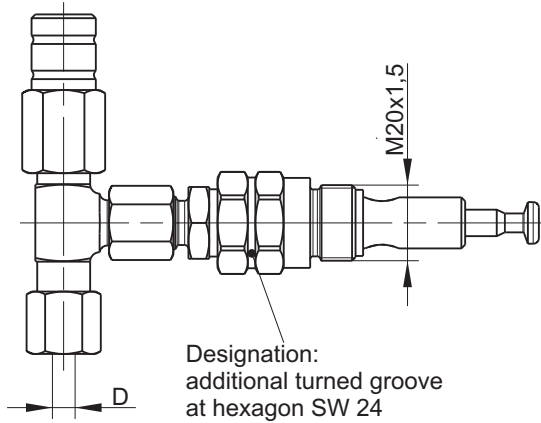
Table of Contents	Page
Pump elements	
Pump elements PE-60 to PE-170 with pressure relief valve	8.2.2
Pump element PE-120 V with pressure relief valve	8.2.3
Pump element PE-120 F with pressure relief valve	8.2.4
Pump element PE-120 FV with pressure relief valve	8.2.5
Pump elements PE-5 to PE-50	8.2.6
Pump elements with lubrication nipple	8.2.7
Pump elements PE-60 to PE-170 without pressure relief valve	8.2.8
Pump elements PE-60F to PE-170F without pressure relief valve	8.2.9
Pump elements PE-120 V and PE-120 FV without pressure relief valve	8.2.10
Pressure relief valves	
Pressure relief valve for PE-60 to PE-170 and PE-120 F	8.2.11
Pressure relief valve for PE-120 V and PE-120 FV	8.2.11
Pressure relief valve with lubrication nipple	8.2.12
Pressure relief valve with micro switch with cable one-sided	8.2.13
Pressure relief valve with micro switch with cable and angled plug M12x1	8.2.13
Accessories	
Malfunction indicator on pressure relief valve	8.2.14
Reduction	8.2.15
Screwed non-return valve	8.2.15



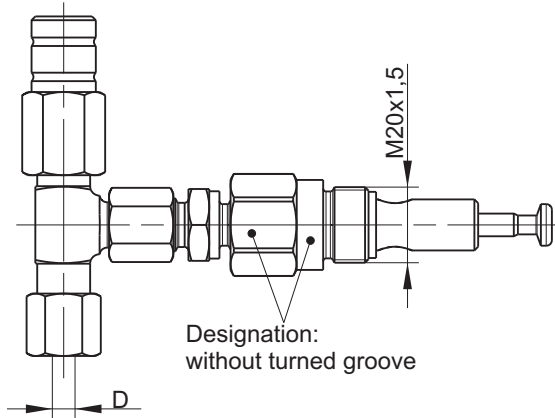
Pump elements

not adjustable delivery quantity, with pressure relief valve for electric Pump EP-1

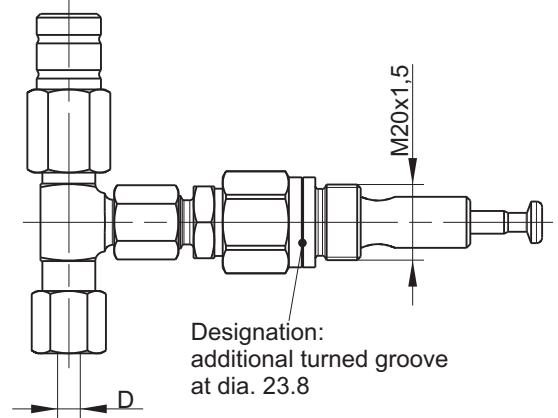
Pic. 1:
PE-170



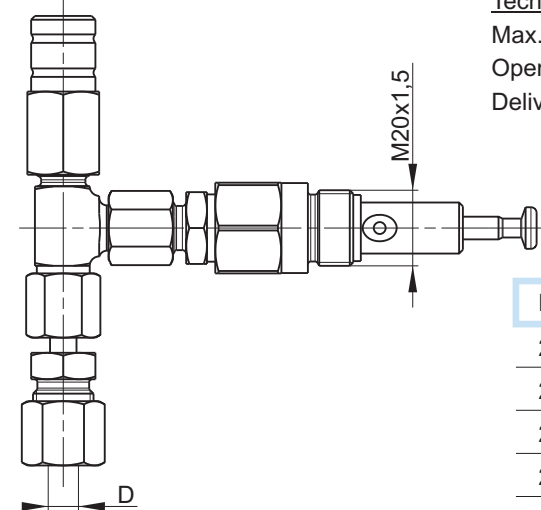
Pic. 2:
PE-120



Pic. 3:
PE-60



Pic. 4:
Pipe connection dia. 8:



Technical data:

Max. operating pressure: adjusted to 280 bar
 Operating temperature: -35°C to +70°C
 Delivery media: Greases up to NLGI-cl. 2 (excluding solid lubricants)
 Mineral oils from 40 mm²/s (cSt)

Part-No.	D	Delivery quantity	Pic.	Material
2152 990 69 0000	6	170 mm ³ /stroke	1	Steel
2152 990 69 0001	8	170 mm ³ /stroke	4	Steel
2152 990 61 0000	6	120 mm ³ /stroke	2	Steel
2152 990 61 0001	8	120 mm ³ /stroke	4	Steel
2152 990 67 0000	6	60 mm ³ /stroke	3	Steel

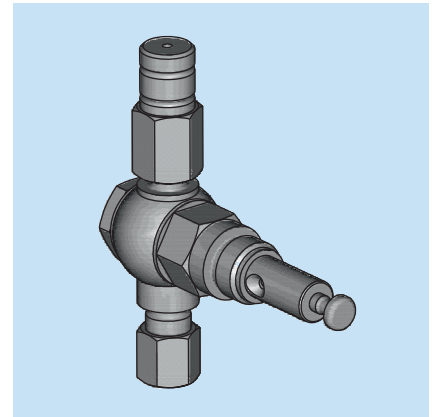
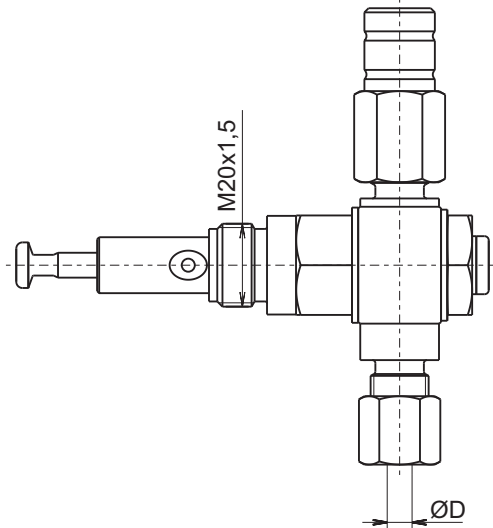
All parts made of steel are zinc coated and yellow chromated.



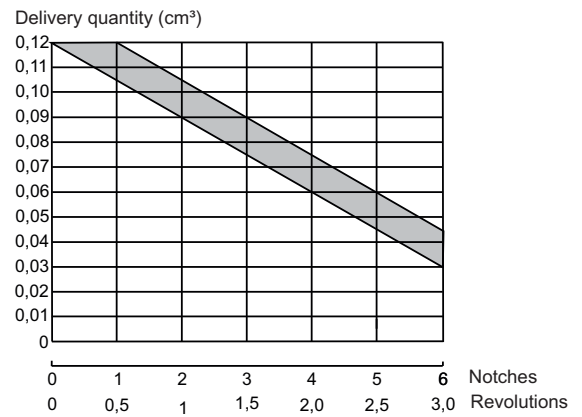
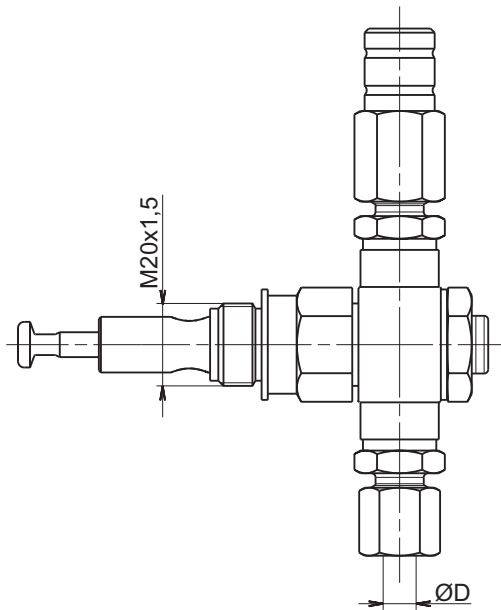
Pump element PE-120V

adjustable delivery quantity, with pressure relief valve for electric Pump EP-1

Pic. 1:



Pic. 2:



Technical data:

Delivery quantity: 40 mm³/stroke to 120mm³/stroke
 Max. operating pressure: adjusted to 280 bar
 Operating temperature: -35°C to +70°C
 Delivery media: Greases up to NLGI-cl. 2 (excluding solid lubricants)
 Mineral oils from 40 mm²/s (cSt)

Part-No.	D	Pic.	Material
2152 990 63 0000	6	1	Steel
2152 990 63 0001	8	2	Steel

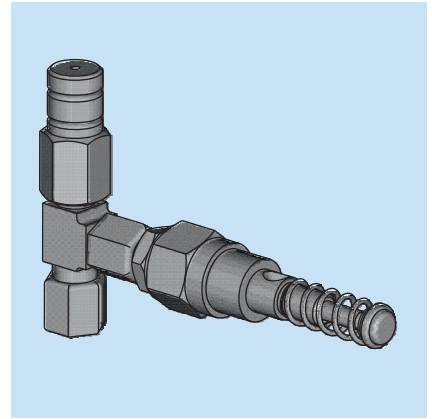
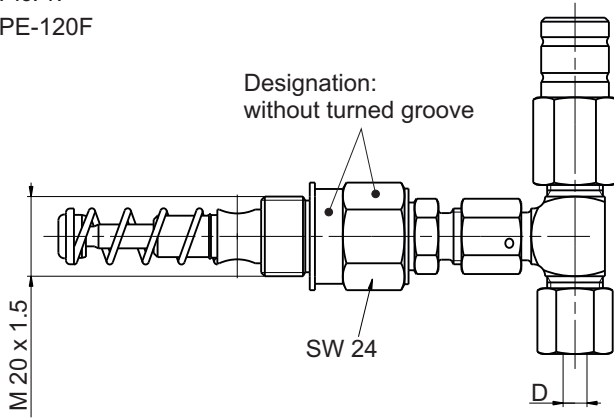
All parts made of steel are zinc coated and yellow chromated.



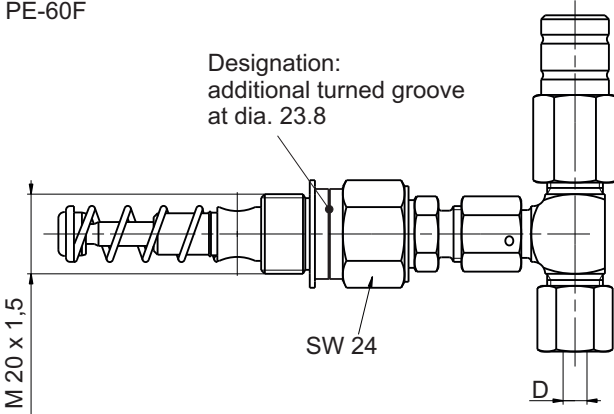
Pump Element

not adjustable delivery quantity, with pressure relief valve for Central Lubrication Pump Pico

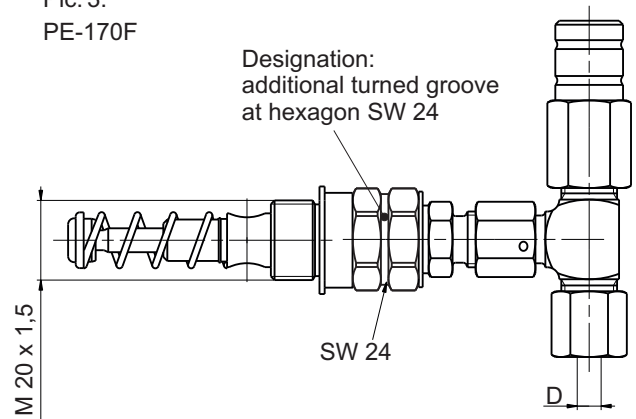
Pic. 1:
PE-120F



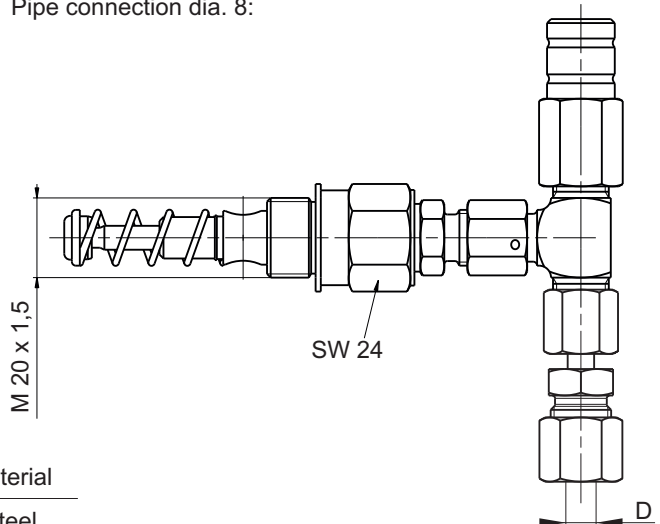
Pic. 2:
PE-60F



Pic. 3:
PE-170F



Pic. 4:
Pipe connection dia. 8:



Technical data:

Max. operating pressure: adjusted to 280 bar
 Operating temperature: -35°C to +70°C
 Delivery media: Greases up to NLGI-cl. 2 (excluding solid lubricants)
 Mineral oils from 40 mm²/s (cSt)

Part-No.	D	Delivery quantity	Pic.	Material
2152 990 67 1003	6	60 mm ³ /stroke	2	Steel
2185 990 61 0000	6	120 mm ³ /stroke	1	Steel
2185 970 61 0000	6	120 mm ³ /stroke	1	stainless
2185 990 61 0001	8	120 mm ³ /stroke	4	Steel
2185 990 69 0000	6	170 mm ³ /stroke	3	Steel

All parts made of steel are zinc coated and yellow chromated.

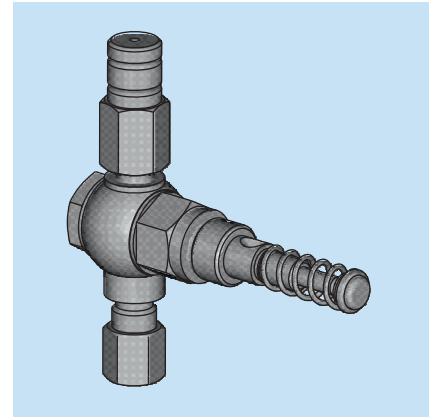
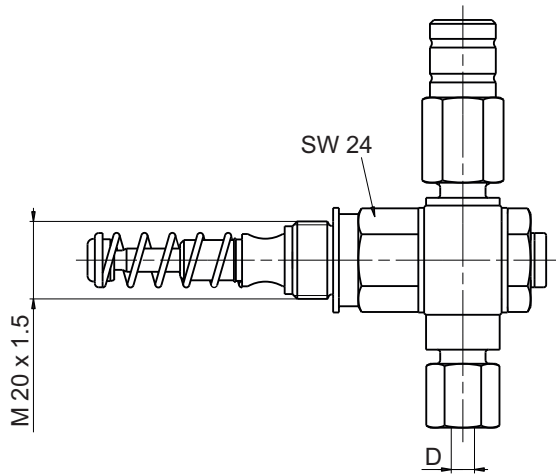




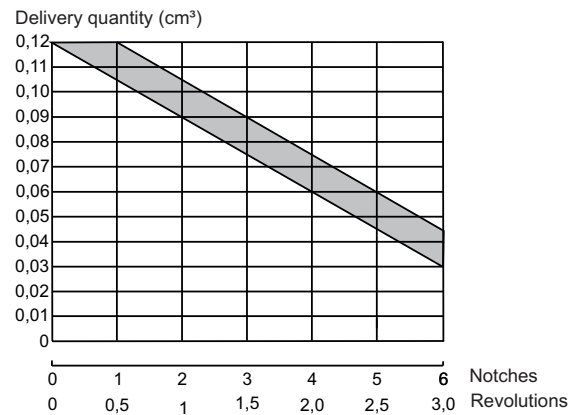
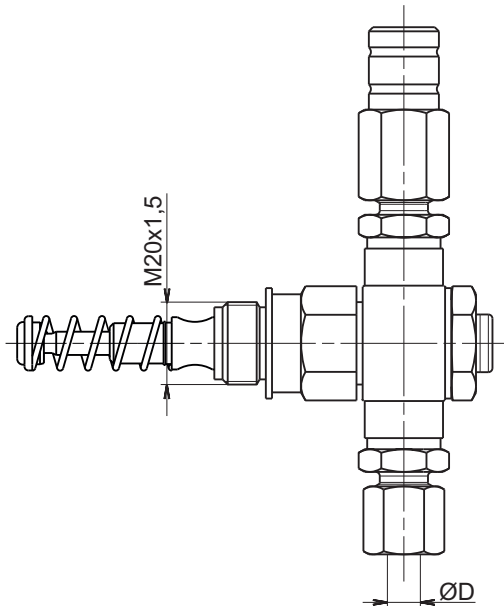
Pump Element PE-120FV

with pressure relief valve
for Central Lubrication Pump Pico

Pic. 1:



Pic. 2:



Technical data:

Delivery quantity: 40 mm³/stroke to 120mm³/stroke
 Max. operating pressure: adjusted to 280 bar
 Operating temperature: -35°C to +70°C
 Delivery media: Greases up to NLGI-cl. 2
 (excluding solid lubricants)
 Mineral oils from 40 mm²/s (cSt)

Part-No.	D	Pic.	Material
2185 990 63 0000	6	1	Steel
2185 990 63 0002	8	2	Steel

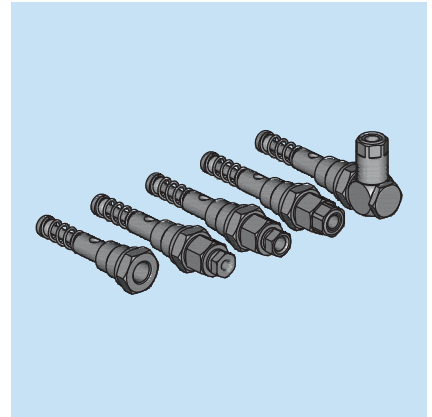
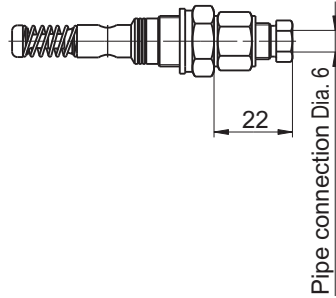
All parts made of steel are zinc coated and yellow chromated.



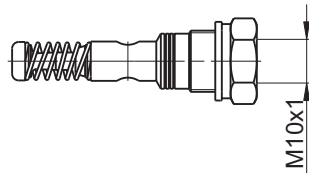
Pump Element PE-5 up to PE-50

for Central Lubrication Pump Pico

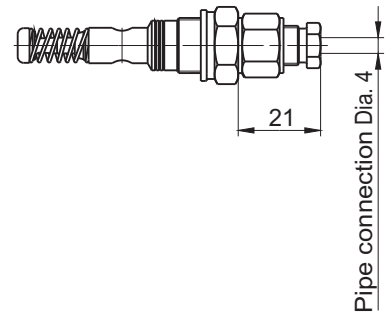
with Cap Screw and Double Cone Olive for Pipes Dia. 6:
(Standard)



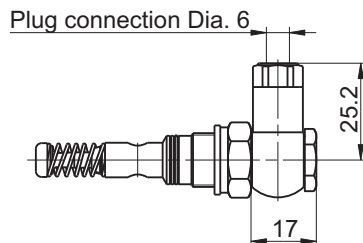
with Threaded Joint M10x1



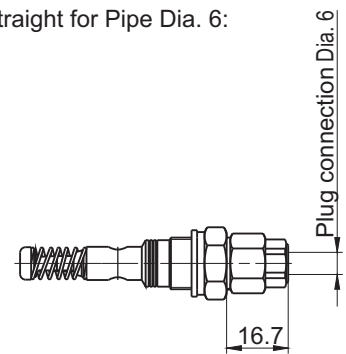
with Cap Screw and Double Cone Olive for Pipe Dia. 4:



with Plug-in Connection 90° for Pipe Dia. 6:



with Plug-in Connection straight for Pipe Dia. 6:



Order Key:

Order-No. 2154 . 9000 . 01

Name	Delivery Quantity/Stroke	
PE-5	5 mm ³	9001
PE-10	10 mm ³	9002
PE-15	15 mm ³	9003
PE-25	25 mm ³	9000
PE-50	50 mm ³	9010

Connection Name	
Threaded Joint M10x1	00
Pipe Connection Dia. 6 with ÜS6 and DKR6	01
Plug-in Connection straight for Pipe Dia. 6	02
Plug-in Connection 90° for Pipe Dia. 6	03
Pipe Connection Dia. 4 with ÜS4 and DKR4	04

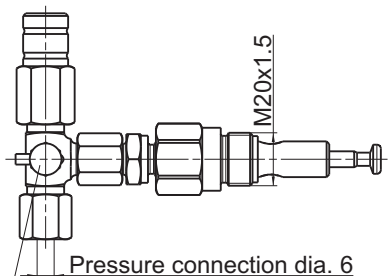
All parts made of steel are zinc coated and yellow chromated.



Pump element with lubricating nipple

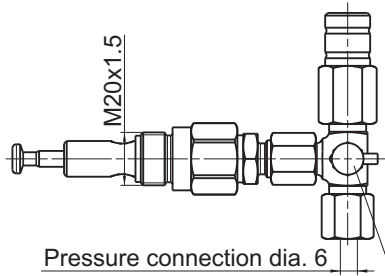
Dimensional drawing:

Fig. 1:



Lubricating nipple with cover

Fig. 2:



Lubricating nipple with cover

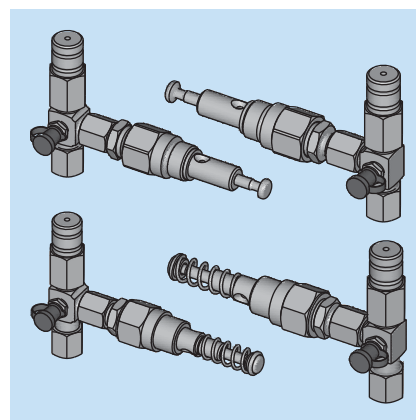
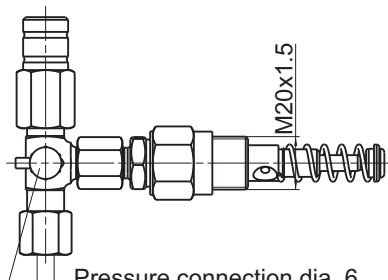
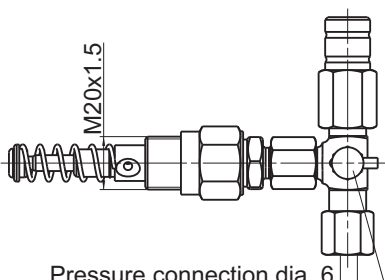


Fig. 3:



Lubricating nipple with cover

Fig. 4:



Lubricating nipple with cover

Technical data:

Max. operating pressure: adjusted to 280 bar
 Operating temperature: -35°C to +70°C
 Delivery media: Greases up to NLGI-cl. 2 (excluding solid lubricants)
 Mineral oils from 40 mm²/s (cSt)

Article-nr.	Designation	Output rate	for installation into pump	Fig.	Material
2152 990 69 4000	PE-170	170 mm ³ /stroke	EP-1 / HP-1	1	Steel
2152 990 69 5000	PE-170	170 mm ³ /stroke	EP-1 / HP-1	2	Steel
2152 990 61 4000	PE-120	120 mm ³ /stroke	EP-1 / HP-1	1	Steel
2152 990 61 5000	PE-120	120 mm ³ /stroke	EP-1 / HP-1	2	Steel
2152 990 67 4000	PE-60	60 mm ³ /stroke	EP-1 / HP-1	1	Steel
2152 990 67 5000	PE-60	60 mm ³ /stroke	EP-1 / HP-1	2	Steel
2185 990 61 4000	PE-120F	120 mm ³ /stroke	PICO	3	Steel
2185 990 61 5000	PE-120F	120 mm ³ /stroke	PICO	4	Steel

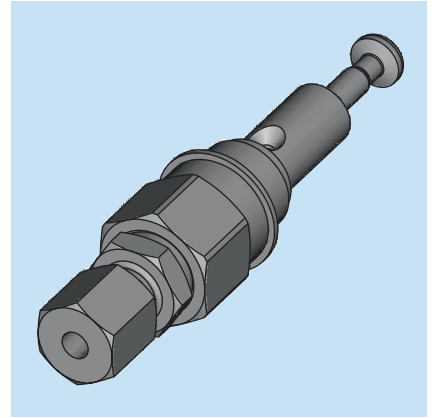
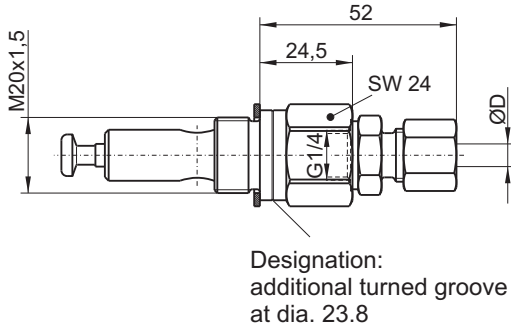
All parts made of steel are galvanized, yellow chromated.
 Lubricating nipple cap: plastic red



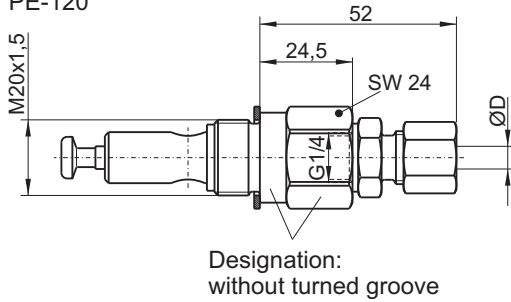
Pump elements

not adjustable delivery quantity, without pressure relief valve
for electric Pump EP-1

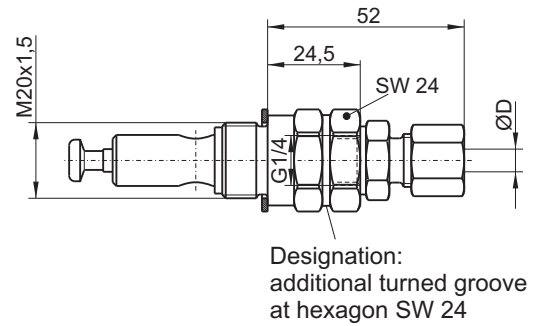
Pic. 1:
PE-60



Pic. 2:
PE-120



Pic. 3:
PE-170



Technical data:

Operating temperature: -35°C to +70°C
Delivery media: Greases up to NLGI-cl. 2
(excluding solid lubricants)
Mineral oils from 40 mm²/s (cSt)

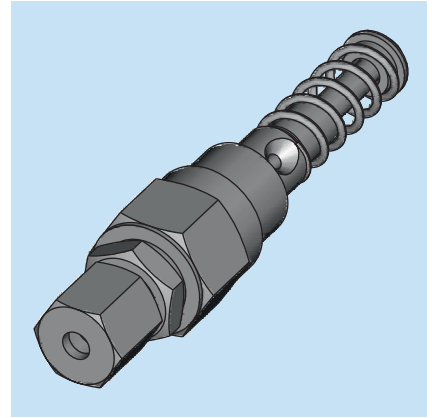
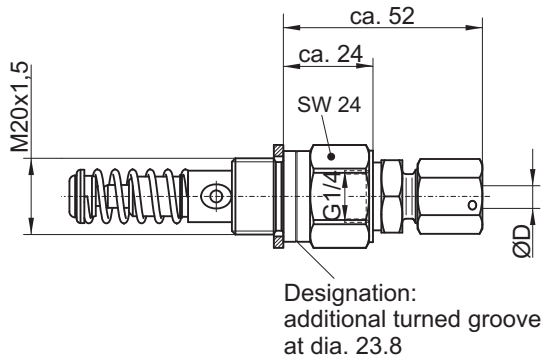
Part-No.	D	Delivery quantity	Pic.	Material
2152 990 67 0100	6	60 mm ³ /Hub	1	Steel
2152 990 61 0100	6	120 mm ³ /Hub	2	Steel
2152 990 69 0100	6	170 mm ³ /Hub	3	Steel

All parts made of steel are zinc coated and yellow chromated.

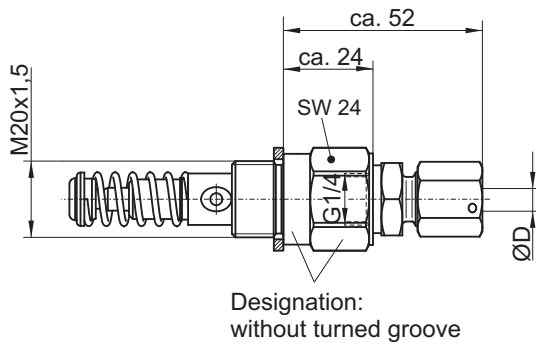
Pump Element

not adjustable delivery quantity, with pressure relief valve
for Central Lubrication Pump Pico

Pic. 1:
PE-60



Pic. 2:
PE-120



Technical data:

Operating temperature: -35°C to +70°C

Delivery media: Greases up to NLGI-cl. 2
(excluding solid lubricants)

Mineral oils from 40 mm²/s (cSt)

Part-No.	D	Delivery quantity	Pic.	Material
2152 990 67 1000	6	60 mm ³ /Hub	1	Steel
2185 990 61 0100	6	120 mm ³ /Hub	2	Steel

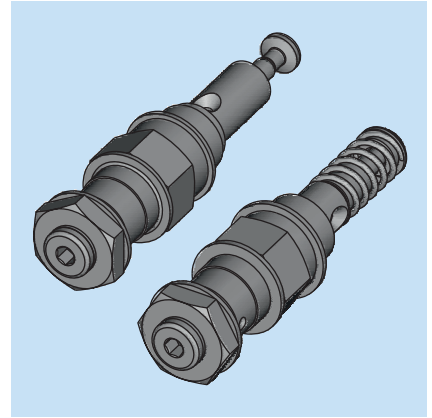
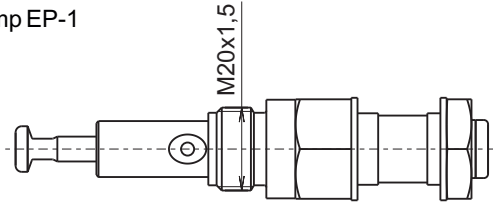
All parts made of steel are zinc coated and yellow chromated.



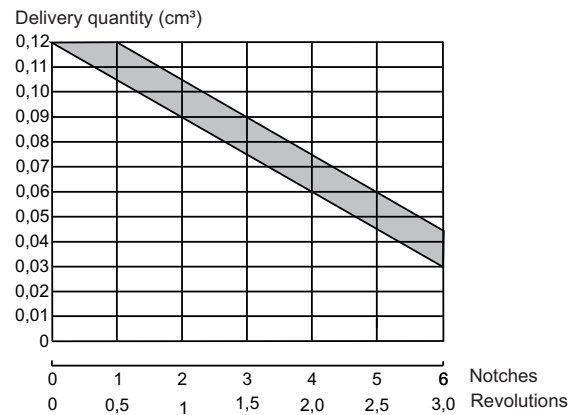
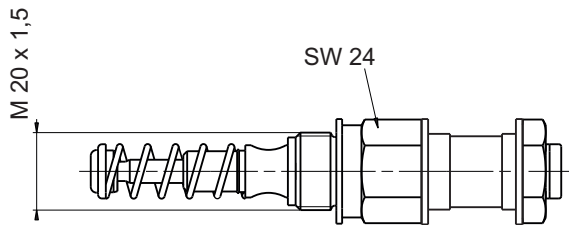
Pump elements

adjustable delivery quantity, without pressure relief valve

Pic. 1:
PE-120 V
for electric Pump EP-1



Pic. 2:
PE-120 FV
for Central Lubrication Pump Pico



Technical data:

Delivery quantity: 40 mm³/stroke to 120mm³/stroke
 Operating temperature: -35°C to +70°C
 Delivery media: Greases up to NLGI-cl. 2 (excluding solid lubricants)
 Mineral oils from 40 mm²/s (cSt)

Part-No.	Pic.	Material
2152 990 63 0014	1	Steel
2185 990 63 0112	2	Steel

All parts made of steel are zinc coated and yellow chromated.

© BEKA 2013 All rights reserved!

Subject to alterations!

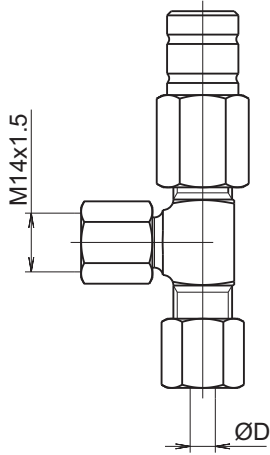




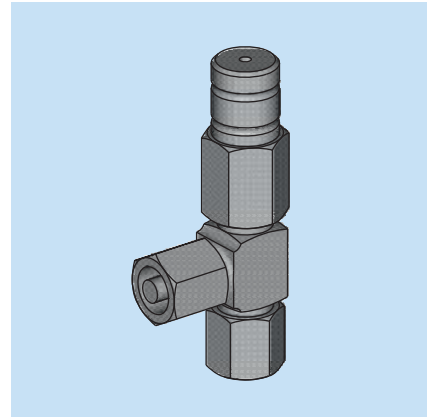
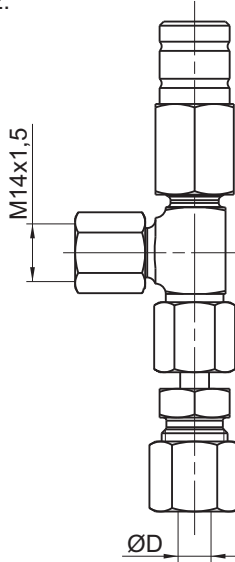
Pressure Relief Valve

for pump elements PE60, PE-120, PE170, PE-60F, PE120F and PE-170F
 Max. operating pressure adjusted to: 280 bar

Pic.. 1:



Pic. 2:



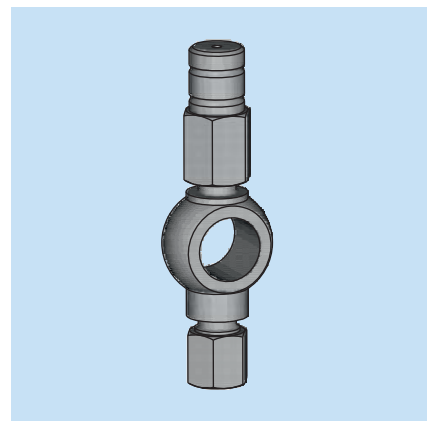
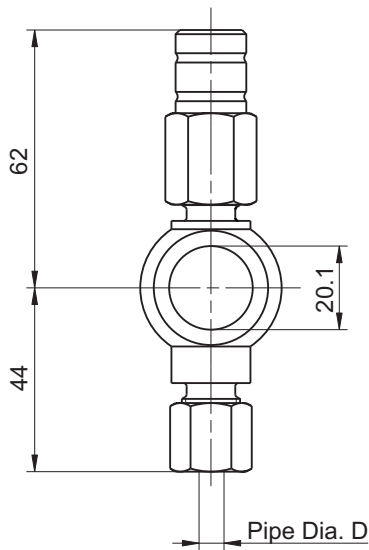
Part-No.	D	Pic.	Material
2152 0062	6	1	Steel
2152 0060	8	2	Steel

All parts made of steel are zinc coated and yellow chromated.

Pressure Relief Valve

for pump elements PE-120V and PE-120FV
 Max. operating pressure adjusted to: 280 bar

Pic. 1:



Part-No.	D	Pic.	Material
2152 0063	6	1	Steel

All parts made of steel are zinc coated and yellow chromated.

© BEKA 2013 All rights reserved!

Subject to alterations!



Pressure relief valve with lubricating nipple

for pump elements PE60, PE-120, PE170, PE-60F, PE-120F and PE-170F
preadjusted to 280 bar opening pressure

Dimensional drawing

Fig. 1:

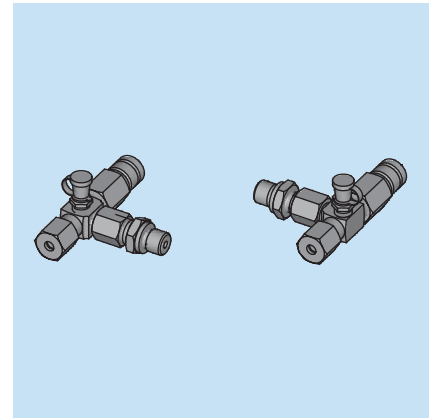
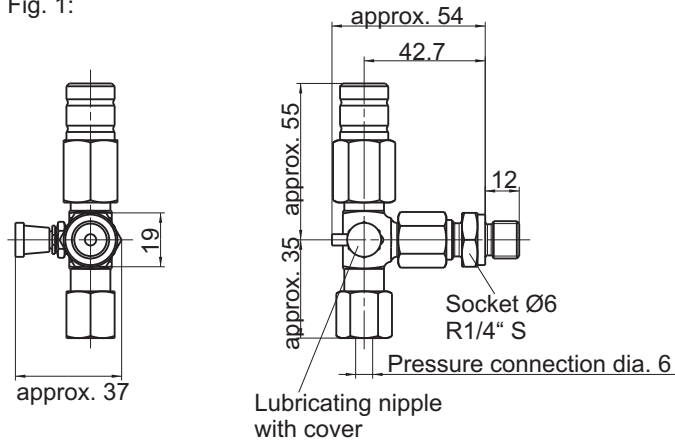
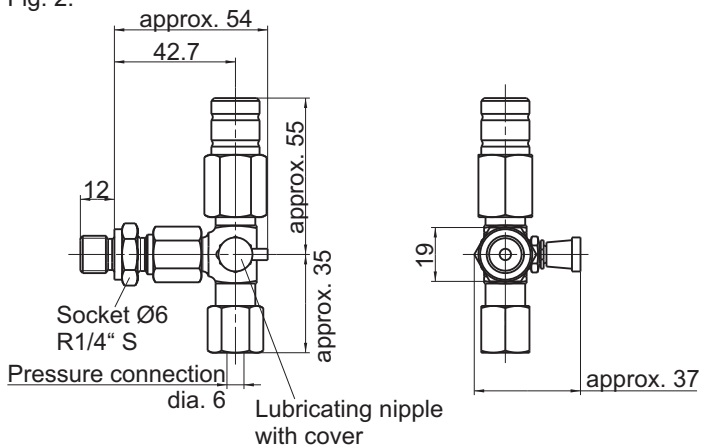


Fig. 2:



Article-nr.	Fig.	Socket dia. 6	Material
21520067	1	with	Steel
21520068	1	without	Steel
21520075	2	with	Steel
21520076	2	without	Steel

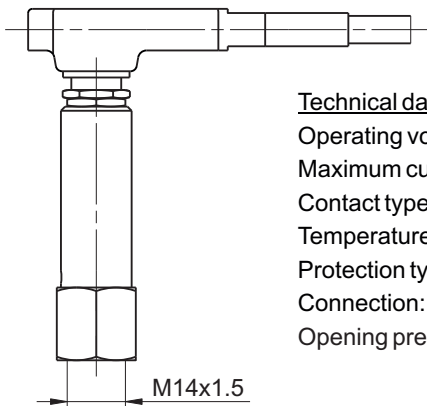
All parts made of steel are galvanized, yellow chromated.
Lubricating nipple cap: plastic red



Pressure relief valve with micro switch

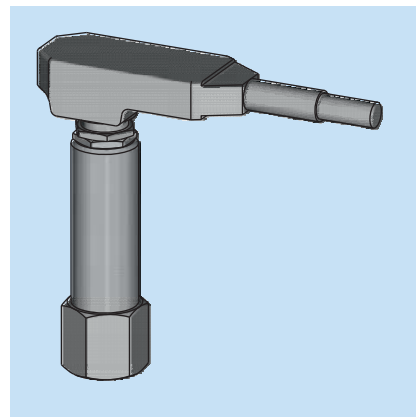
for PE-60 to PE-170; PE-120F; PE-120 V und PE-120 FV
with cable one-sided

Dimensions:



Technical data:

Operating voltage: 10 to 60 V DC
 Maximum current load: I = 1.7 A
 Contact type: 1 changeover switch
 Temperature range: -25°C to +85°C
 Protection type: IP 67
 Connection: Cable, length 0.5 m, heat-sealed
 Opening pressure: preadjusted to 280 bar



Article-no.	Material
2152 9906 10028	steel

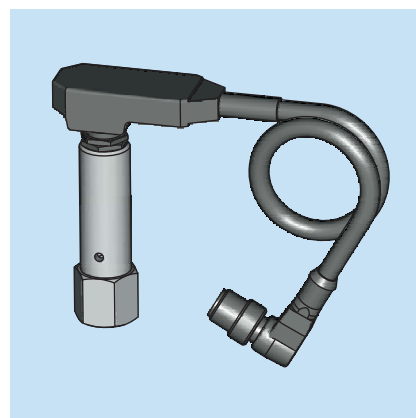
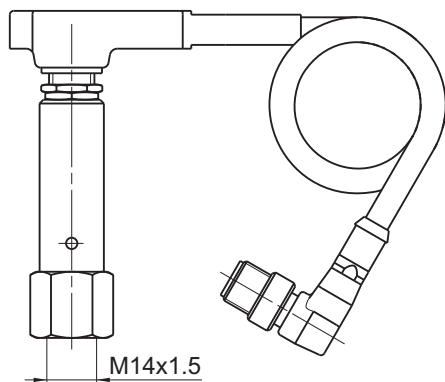
All parts made of steel are galvanized, yellow chromated.

Pressure relief valve with micro switch

for PE-60 to PE-170; PE-120F; PE-120 V and PE-120 FV

with cable and angled plug M12x1 for the connection at the BEKA-troniX1 or EP-tronic control unit with bayonet plug

Dimensions:



Technical data:

Operating voltage: 10 to 60 V DC
 Maximum current load: I = 1.7 A
 Contact type: 1 changeover switch
 Temperature range: -25°C to +85°C
 Protection type: IP 67
 Connection: Cable, length 0.5 m, heat-sealed
 Opening pressure: preadjusted to 280 bar
 Connection: 4-pole M12x1, pluggable

Article-no.	Material
2152 99 119	steel

All parts made of steel are galvanized, yellow chromated.

© BEKA 2013 All rights reserved!
Subject to alterations!

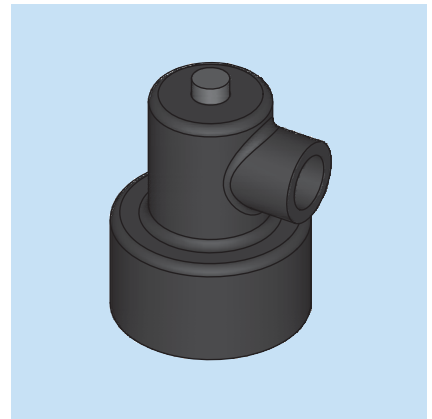
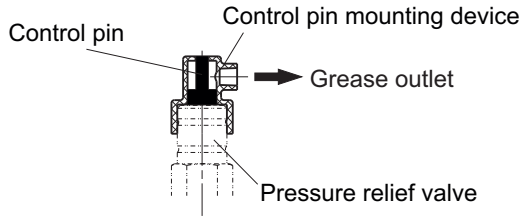


Malfunction indicator on pressure relief valve

for PE-60 to PE-170, PE-120 V, PE-60F, PE-120F and PE-120FV

consisting of: Control pin and control pin mounting device

Dimensional drawing:

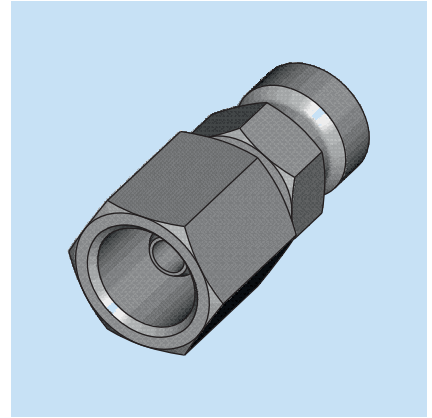
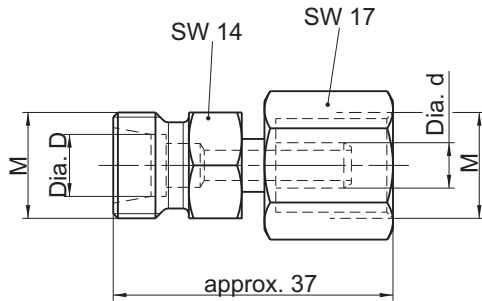


Part-No.	Material
2152 99061 0030	Plastic



Reduction

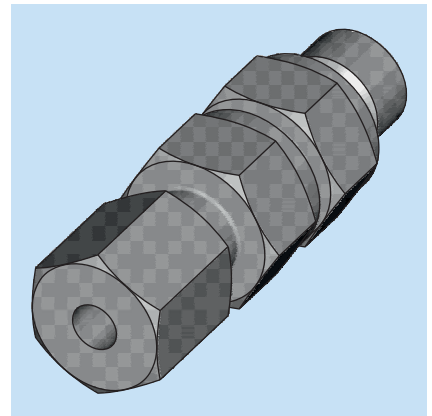
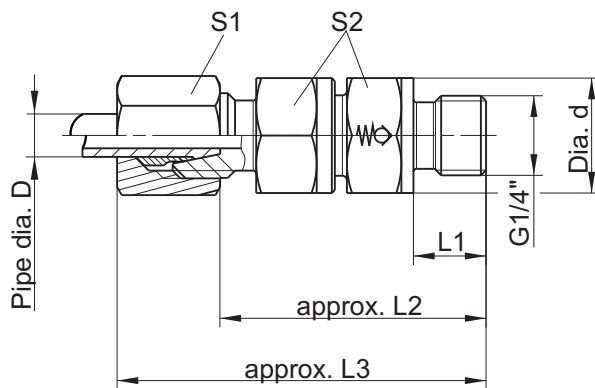
for pump elements PE-60 to PE-170 and PE-60F to PE-170F



Part-No.	Pipe connection dia. D	Dia. d	M	Material
04062352	8L	6S	M14x1.5	Steel zinc coated, yellow chromate

Screwed cone valve

for pump elements PE-60 to PE-170 and PE-60F to PE-170F



Part-No.	Pipe dia. D	Construction sort	Opening pressure	Dia. d	L1	L2	L3	S1	S2	Material
0438000135	6	S	2 bar	19	12	44	61	17	19	Steel
0438000004	8	L	3 bar	19	12	42.5	57	17	19	Steel

All parts made of steel are galvanized, yellow chromated.

