

8.3 Pump accessories

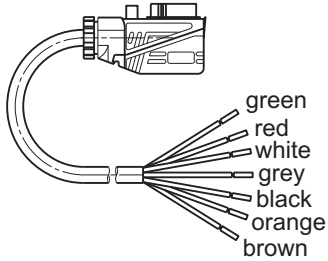
Table of Contents	Page
Power cords	
Power cord with Hirschmann connector	8.3.2
Power cord with bayonet plug	8.3.3
Power cord with connector 4-pole	8.3.4
Adapter cable with plug 4-pole	8.3.5
Connectors	
Hirschmann connector 7-pole for standard connection	8.3.6
Hirschmann connector 7-pole for connecting additional equipment	8.3.6
Bayonet connector 7-pole	8.3.7
Bayonet connector 4-pole	8.3.7
Filling connections	
Filling connection straight for filling the electric pump EP-1	8.3.8
Filling connection 45° for filling the electric pump EP-1	8.3.8
Filling connection 90° with counter nut for filling the electric pump EP-1	8.3.9
Filling connection straight for filling the central lubrication pump PICO	8.3.10
Filling connection 90° for filling the central lubrication pump PICO	8.3.10
Dust protection cover	8.3.11
Mounting plates and mounting brackets	
Mounting plates and mounting brackets for electric pump EP-1	8.3.12 - 8.3.16
Mounting plates and mounting brackets for central lubrication pump PICO	8.3.17 - 8.3.18



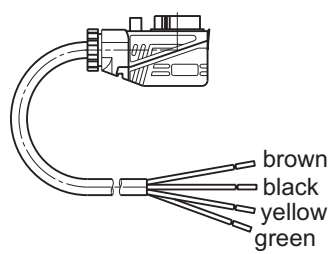
Power cord with connector 7-pole

for control units with Hirschmann connector

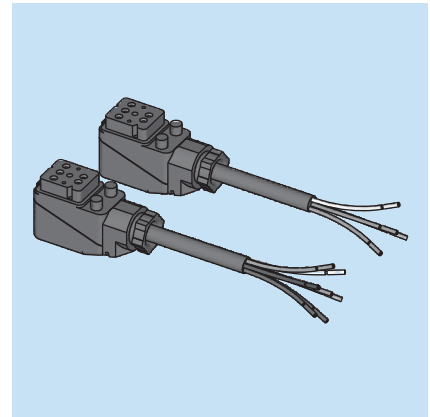
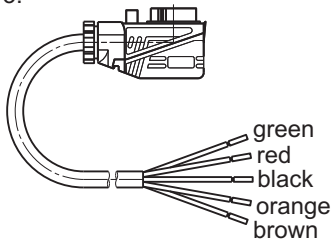
Pic. 1:



Pic. 2:



Pic. 3:



Part-No.	Use	Plug	Power cord	Length	Pic.
FAZ02977-01	EP-tronic PICO-tronic EP-tronic T1 PICO-tronic T1	GO 070 WF	7-wire	10 m	1
FAZ02977-00	PICO S-EP 4	GO 070 WF	5-wire	10 m	3
FAZ02499-02	S-EP 4	GO 070 WF	4-wire	10 m	2



Power cord with connector

for control units with bayonet plug

Fig. 1:

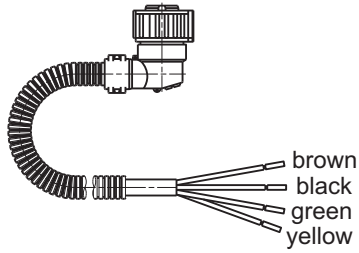


Fig. 2:

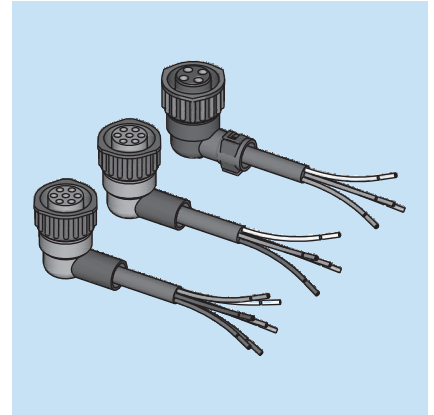
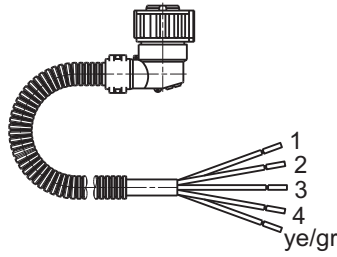


Fig. 3:

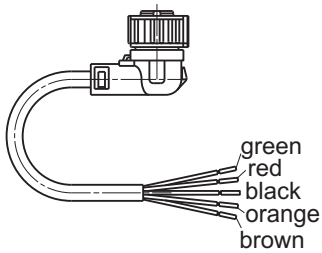


Fig. 4:

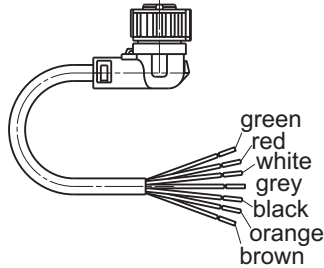


Fig. 5:

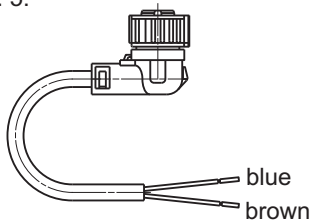
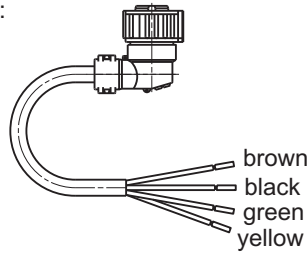


Fig. 6:



Article-no.	Use	Plug-type	Corrugated hose	Power cord	Length	Wires	Fig.
FAZ02499-15	S-EP 4 PICO S-EP 4	4-poles	yes	4-wires	10 m	colored	1
FAZ02499-17	S-EP 4 PICO S-EP 4	4-poles	yes	5-wires	15 m	black	2
FAZ02499-30	without control and revolution signal	4-poles	no	4-wires	5 m	colored	6
FAZ02499-39	without control and revolution signal	4-poles	no	4-wires	10 m	colored	6
FAZ02499-19	BEKA-troniX1 PICO S-EP 4	7-poles	no	5-wires	10 m	colored	3
FAZ02499-21	EP-tronic EP-tronic T1 PICO-tronic T1	7-poles	no	7-wires	10 m	colored	4
FAZ02499-24	EP-T2 PICO-T2	7-poles	no	2-wires	10 m	colored	5



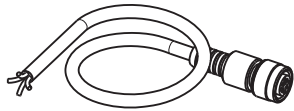
Power cord with connector 4-pole

for connecting external signal transmitters

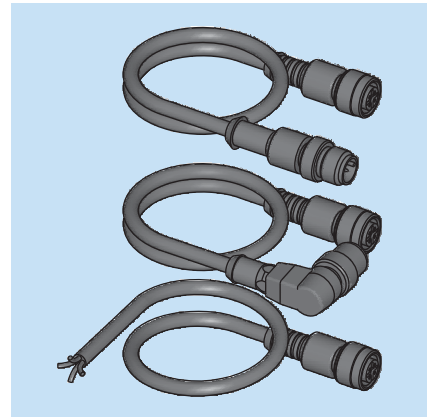
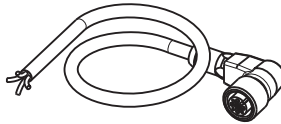
Connection cable no. 1:

for connecting a proximity switch M12x1 or a grease level monitoring with connection M 12x1 at an external control unit or at a control unit with Hirschmann plug.

Pic. 1:



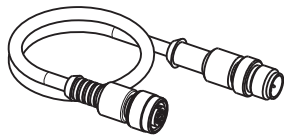
Pic. 2:



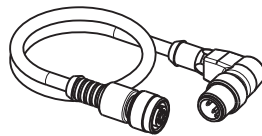
Connection cable No. 2:

for connecting a proximity switch M 12x1 or a grease level monitoring with connection M 12x1 at a control unit BEKA-troniX1 or EP-tronic.

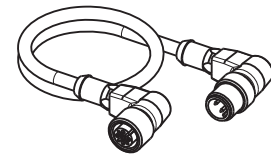
Pic. 3:



Pic. 4:



Pic. 5:



Connection cable no. 3:

for connection M 12x1 of the start release relay at the control unit EP-tronic model bayonet plug.

Pic. 6:



Part-No.	Bush	Plug	Power cord length	Pic.
1000912458	M12x1 straight	without	2 m	1
1000911237	M12x1 straight	without	5 m	1
1000912457	M12x1 straight	without	10 m	1
1000912997	M12x1 angular	without	5 m	2
1000912464	M12x1 straight	M12x1 straight	2 m	3
1000912465	M12x1 straight	M12x1 straight	5 m	3
1000912467	M12x1 straight	M12x1 angular	2 m	4
1000912468	M12x1 straight	M12x1 angular	5 m	4
1000913291	M12x1 straight	M12x1 angular	0,6 m	4
1000912998	M12x1 angular	M12x1 angular	0,6 m	5
1000913278	without	M12x1 angular	5 m	6



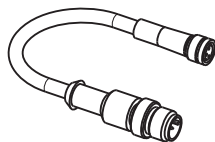
Adapter cable with plug 4-pole

for connecting proximity switch and control unit

Adapter cable no. 1:

for connecting proximity switch with threaded connection M8x1, with a control unit with threaded connection M12x1.

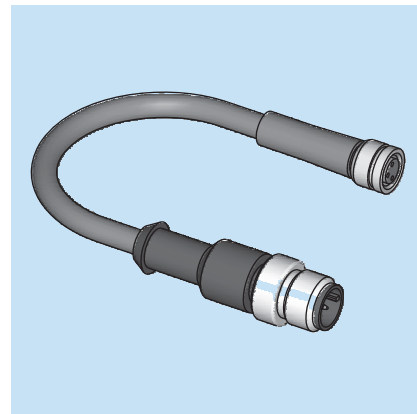
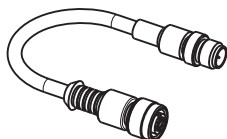
Pic. 1:



Adapter cable no. 2:

for connecting proximity switch with threaded connection M12x1 with an already installed cable with threaded connection M8x1.

Pic. 2:

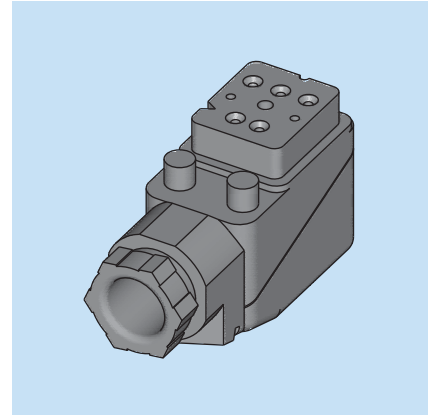
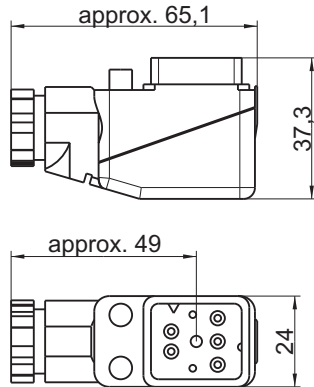


Part-No.	Bush	Plug	Power cord length	Pic.
1000912495	M8x1	M12x1	0,3 m	1
1000912496	M12x1	M8x1	0,3 m	2



Hirschmann connector 7-pole

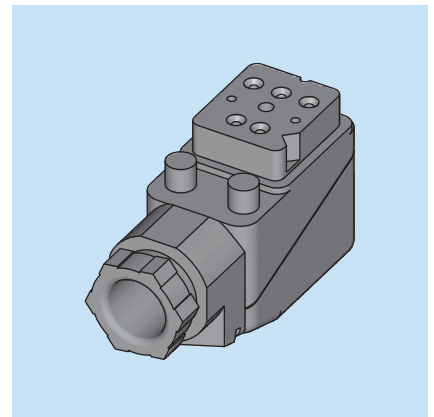
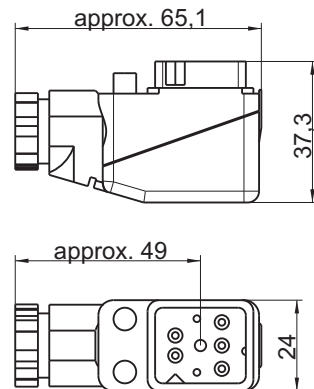
for standard connection of control units



Part-No.	Use	Contact box	for power cord
100091211	S-EP 4 PICO S-EP 4 EP-tronic PICO-tronic EP-tronic T1 PICO-tronic T1	GO 070 WF	7-wire 5-wire 4-wire

Hirschmann connector 7-pole

for connecting additional equipment at the control unit



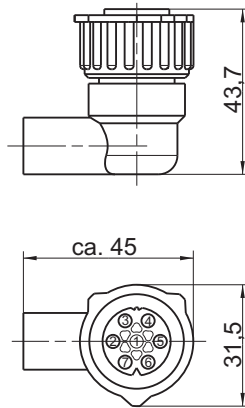
Part-No.	Use	Contact box
100091212	S-EP 4	Cycle control Grease level monitoring Pressure relief valve with micro contact
	EP-tronic PICO-tronic	Cycle control Grease level monitoring Pressure relief valve with micro contact Release relay Collective malfunction message



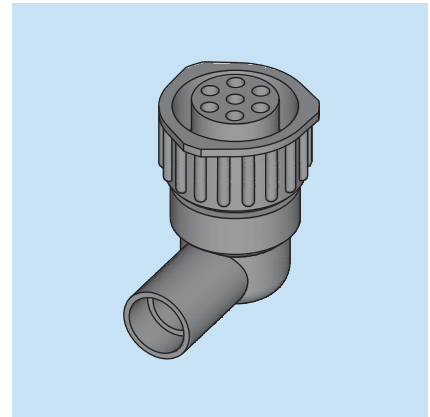


Bayonet connector 7-pole complete

for connecting control units



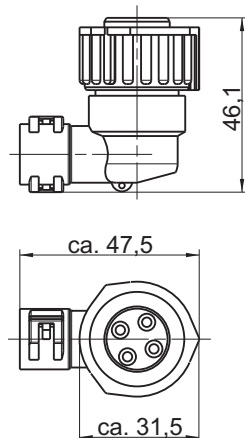
- Consisting of:
- 1 piece bush housing 7-pole
 - 1 piece cap for corrugated pipe
 - 7 pieces bush contact
 - 7 pieces individual sealing
 - 5 pieces welsh plug
 - 1 piece strain relief for cable 7-wire
 - 1 piece strain relief for cable 5-wire
 - 1 piece strain relief for cable 2-wire



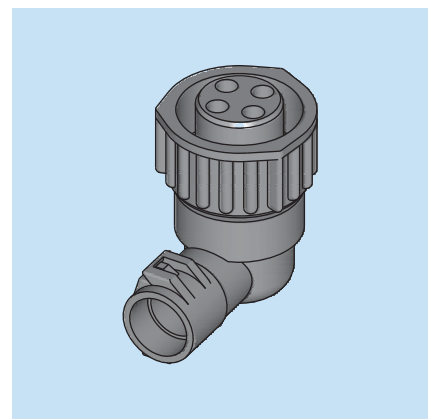
Part-No.	Use	for power cord
1000912932	EP-tronic PICO-tronic EP-tronic T1 PICO-tronic T1 EP-T2 PICO-T2	7-wire 5-wire 2-wire

Bayonet connector 4-pole complete

for connecting control units



- Consisting of:
- 1 piece bush housing 4-pole
 - 1 piece cap for corrugated pipe
 - 4 pieces bush contact
 - 4 pieces individual sealing



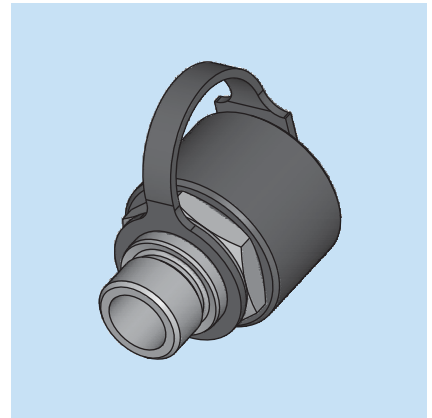
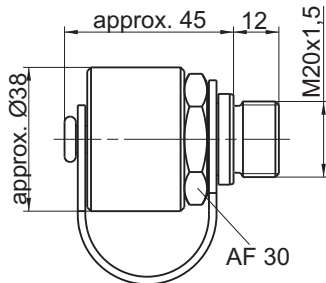
Part-No.	Use	for power cord
1000912664	S-EP 4 PICO S-EP 4	4-wire 5-wire



Filling connection straight without non return valve

according to AZ-02519-00

for filling of electric pump EP-1



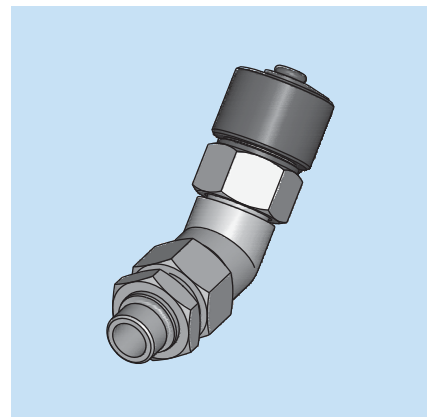
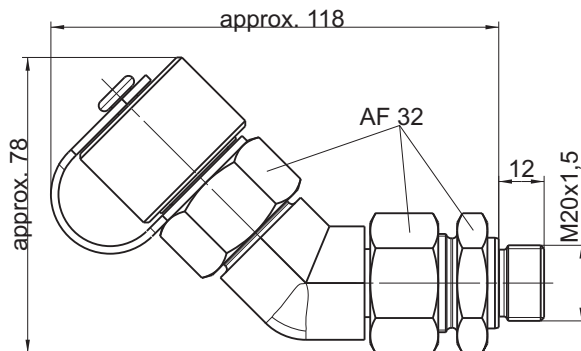
Article-no.	Material
21520150	steel

All parts made of steel are galvanized, yellow chromated.
 Dust protection cover: plastic red

Filling connection 45° without non return valve

according to FAZ02519-07

for filling of electric pump EP-1



Article-no.	Material
21520146	steel

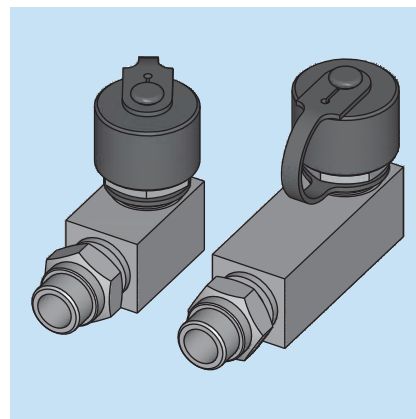
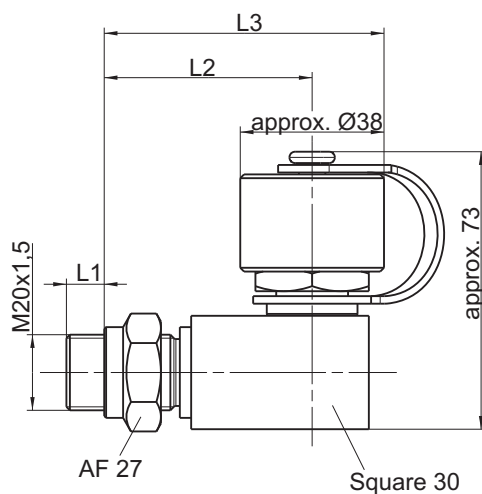
All parts made of steel are galvanized, yellow chromated.
 Dust protection cover: plastic red





Filling connection 90°

without non return valve, with counter nut
for filling of electric pump EP-1



Article-no.	L1	approx. L2	approx. L3	Material
21520149	10-14	50-56	74	steel
21520147	10-14	85-91	109	steel

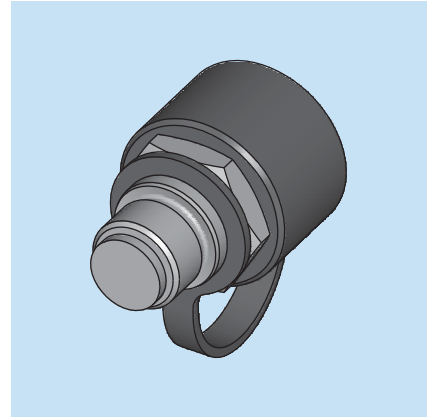
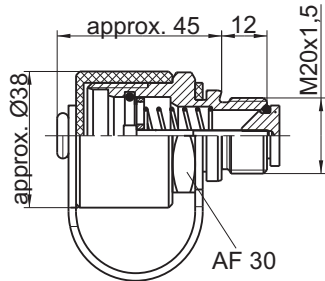
All parts made of steel are galvanized, yellow chromated.
Dust protection cover: plastic red



Filling connection straight with non return valve

according to FAZ03177-00

for filling of central lubrication pump PICO



Article-no.	Material
21520152	steel

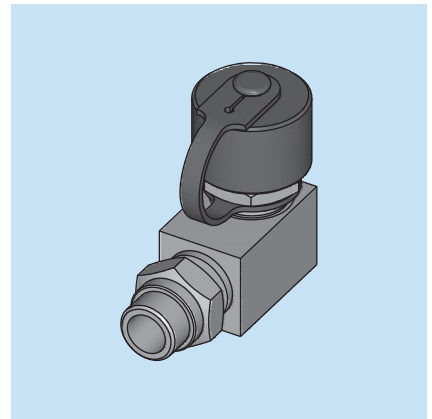
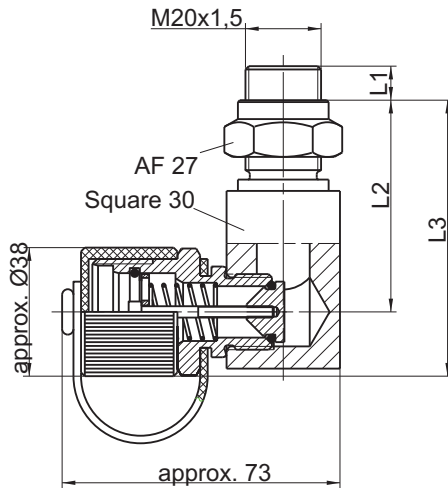
All parts made of steel are galvanized, yellow chromated.

Dust protection cover: plastic red

Filling connection 90° with non return valve, with counter nut

according to FAZ03177-01

for filling of central lubrication pump PICO



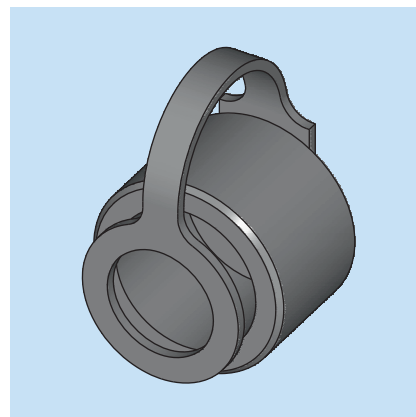
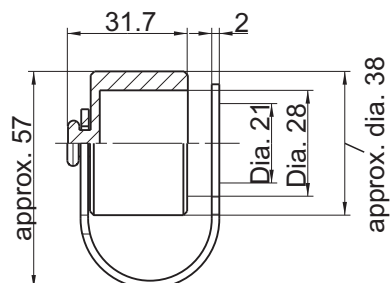
Article-no.	L1	approx. L2	approx. L3	Material
21520174	10-14	50-56	74	steel

All parts made of steel are galvanized, yellow chromated.

Dust protection cover: plastic red



Dust protection cover



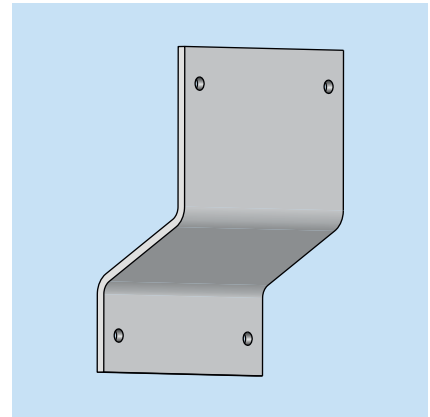
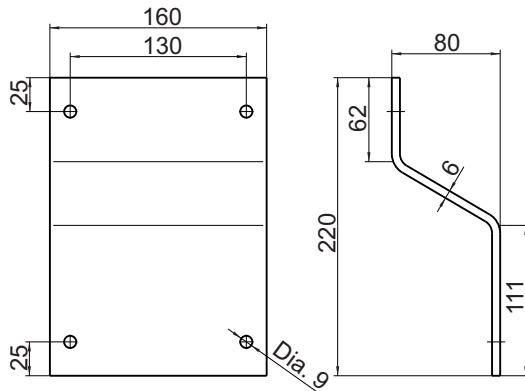
Part-No.	Material
0435 0055	Plastic red





Mounting Bracket

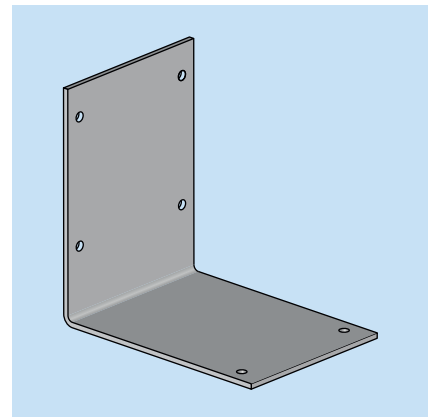
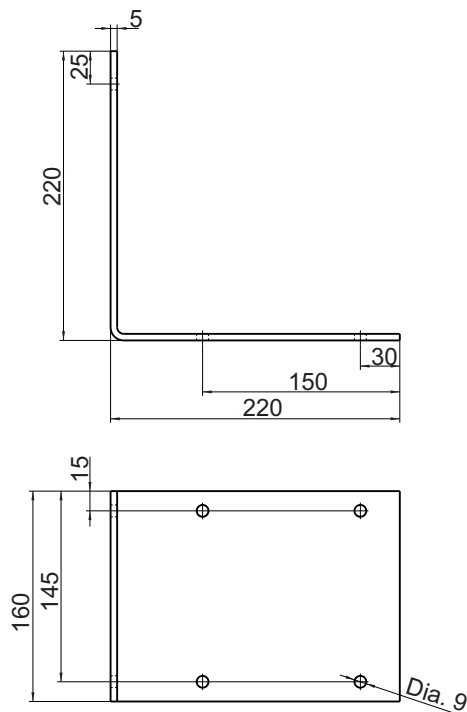
for Electric Pump EP-1



Part-No.	Material
0800500100	Steel zinc coated, yellow chromate

Mounting Plate

for Electric Pump EP-1



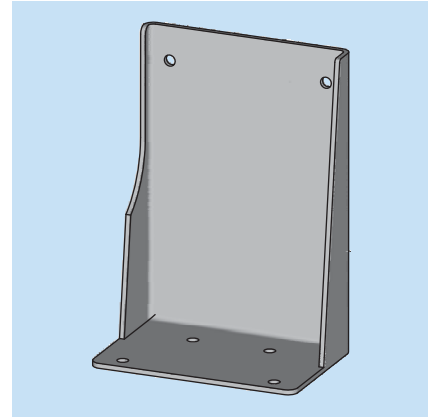
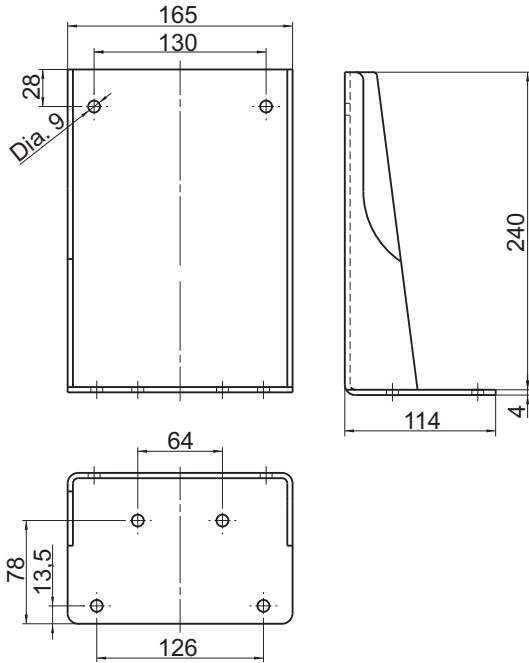
Part-No.	Material
0800500101	Steel zinc coated, yellow chromate





Bracket

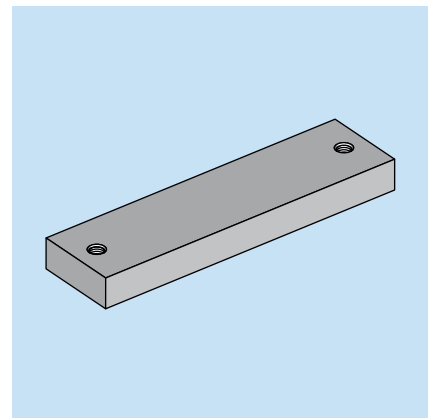
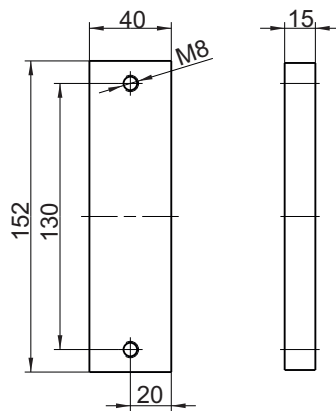
for Electric pump EP-1



Part-No.	Material
0800800445	Steel zinc coated yellow chromate

Mounting Plate

for Electric pump EP-1

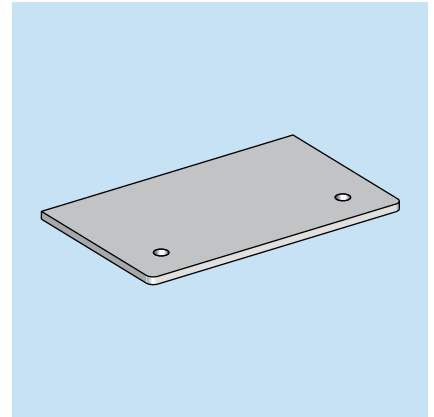
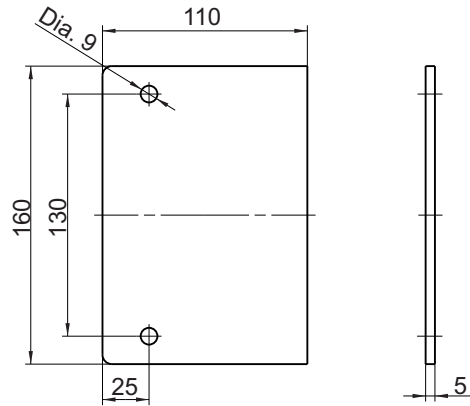


Part-No.	Material
FWZ03605-00	Steel uncoated



Pump Mounting Plate

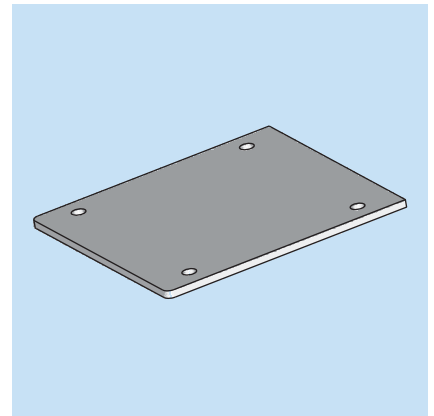
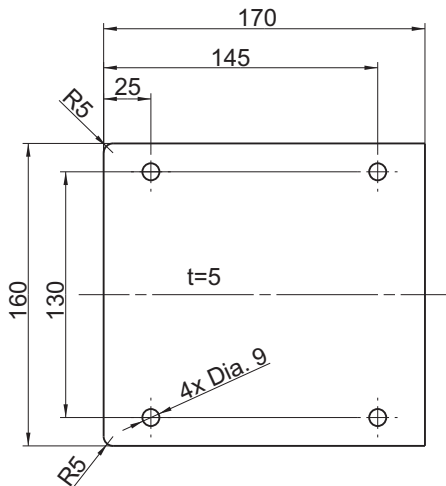
for Electric Pump EP-1



Part-No.	Material
0800800263	Steel uncoated

Pump Mounting Plate

for Electric Pump EP-1



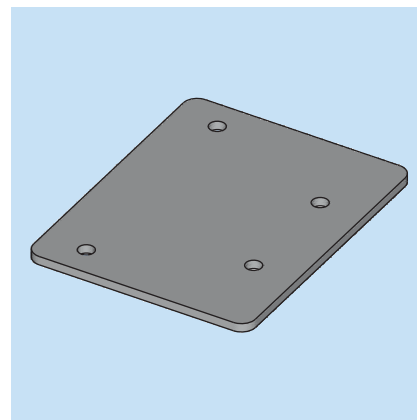
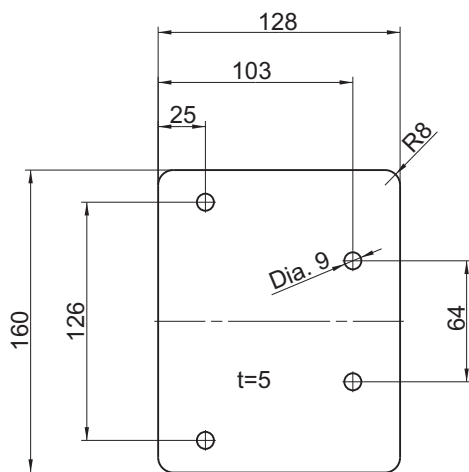
Part-No.	Material
0800801354	Steel zinc coated, yellow chromated

Subject to alterations! © BEKA 2013 All rights reserved!



Pump Mounting Plate

for Electric Pump EP-1

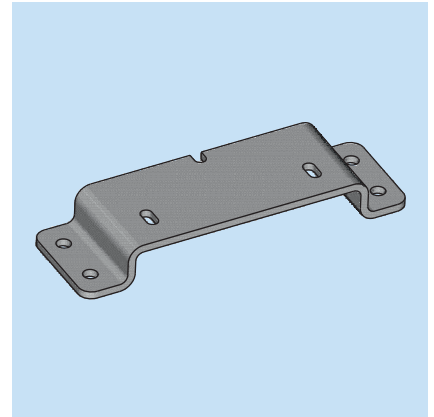
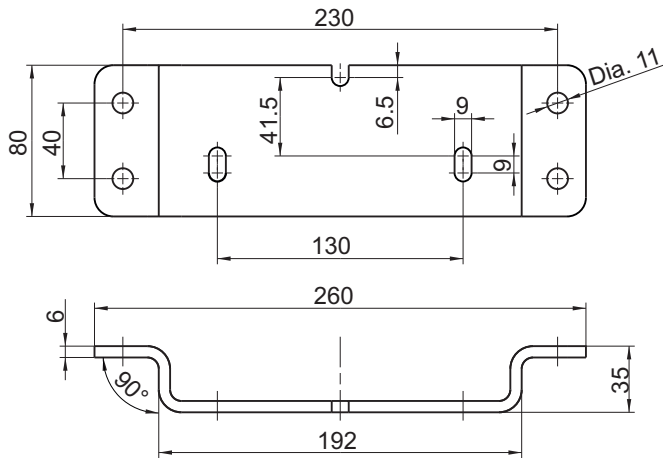


Part-No.	Material
0800802064	Steel zinc coated, yellow chromated



Mounting Bracket

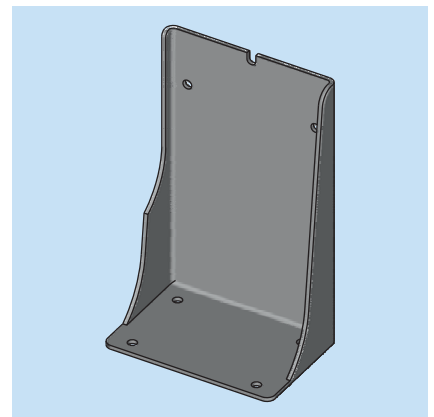
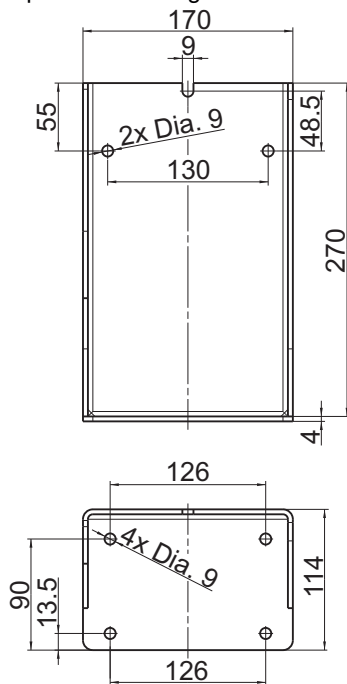
for EP-1 with 8 kg Grease-reservoir 1 part



Part-No.	Material
0800800822	Steel zinc coated, yellow chromated

Bracket

for Electric pump EP-1 with 8 kg Grease-reservoir 1 part

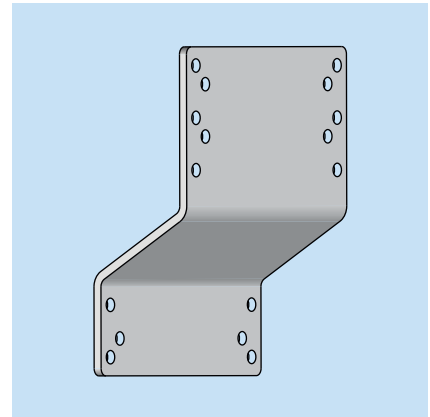
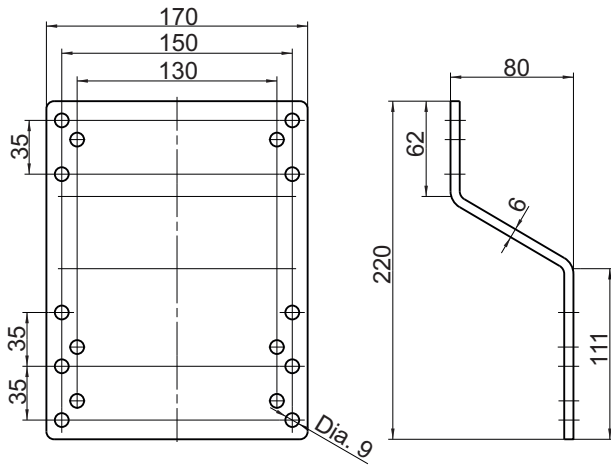


Part-No.	Material
0800802449	Steel zinc coated, yellow chromated



Pump Mounting Plate

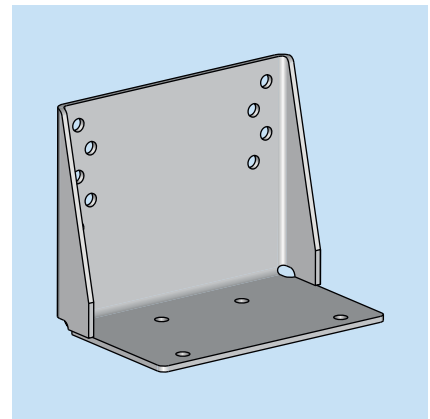
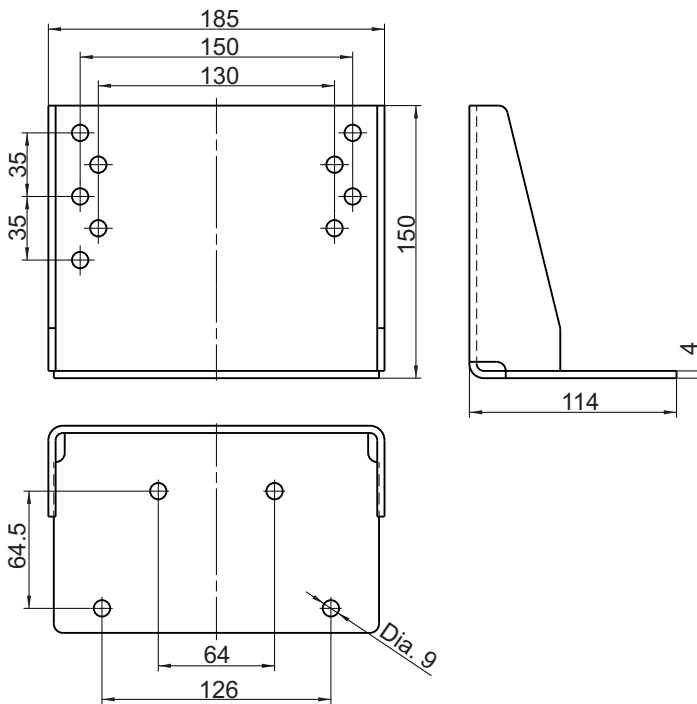
for Centralized Lubrication Pump PICO



Part-No.	Material
0800800733	Steel zinc coated, yellow chromate

Bracket

for Centralized Lubrication Pump Pico



Part-No.	Material
0800800734	Steel zinc coated, yellow chromate

© BEKA 2013 All rights reserved!

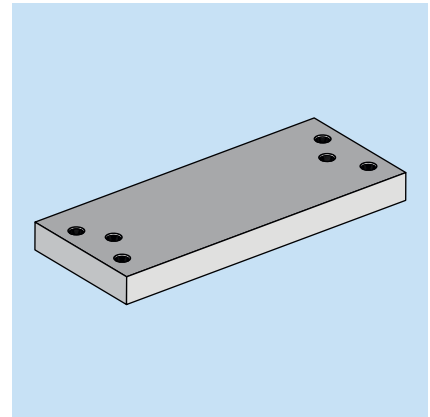
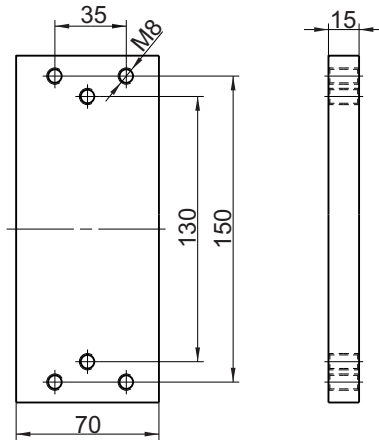
Subject to alterations!





Weld on mounting Plate

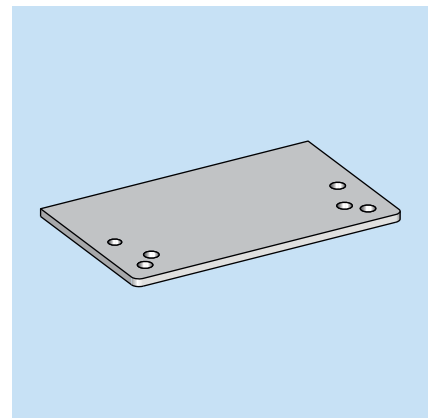
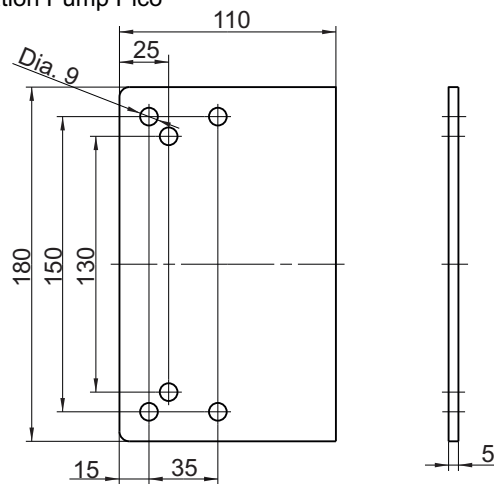
for Centralized Lubrication Pump Pico



Part-No.	Material
F2185/33-00	Steel uncoated

Mounting Plate

for Centralized Lubrication Pump Pico



Part-No.	Material
0800800732	Steel uncoated

