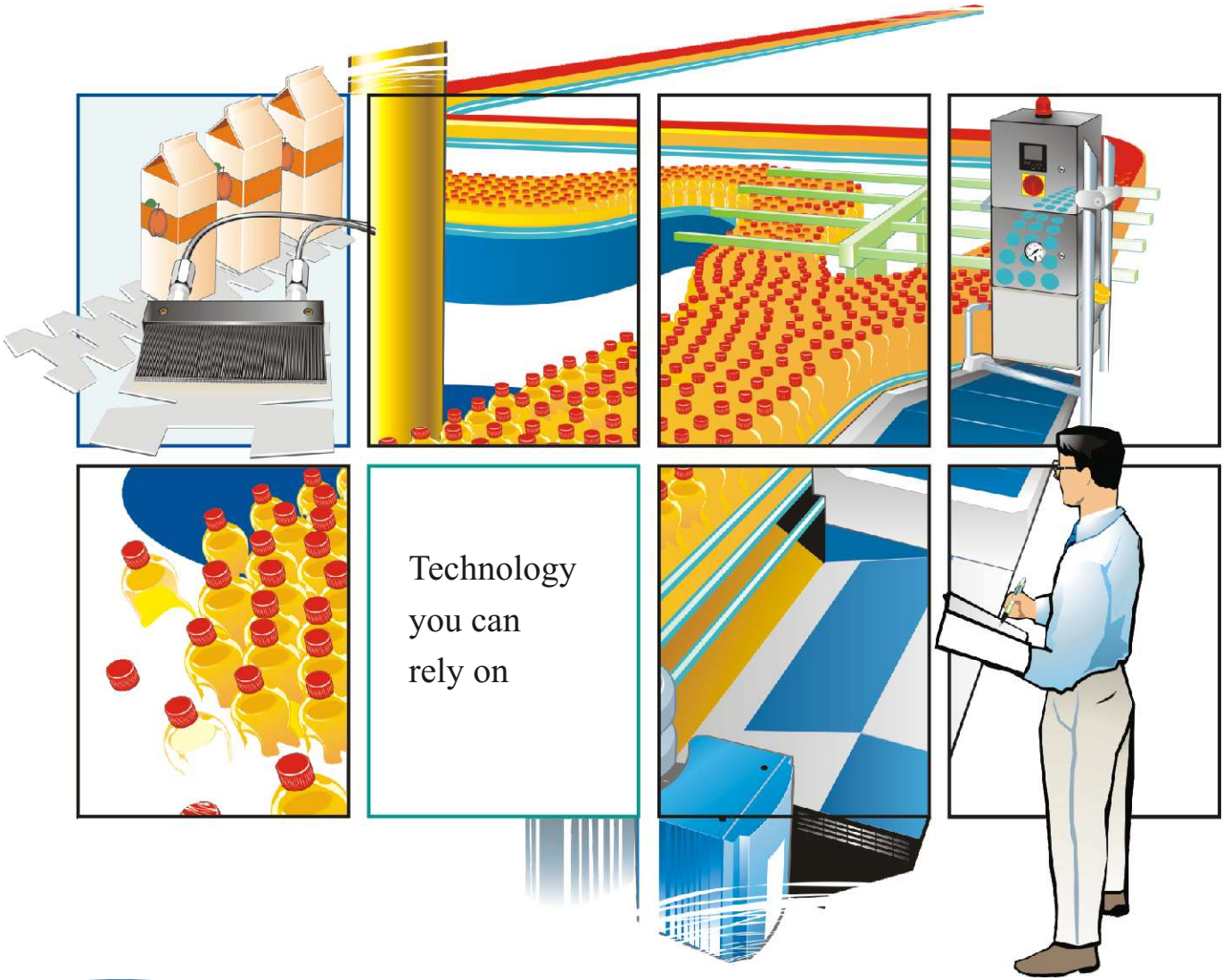




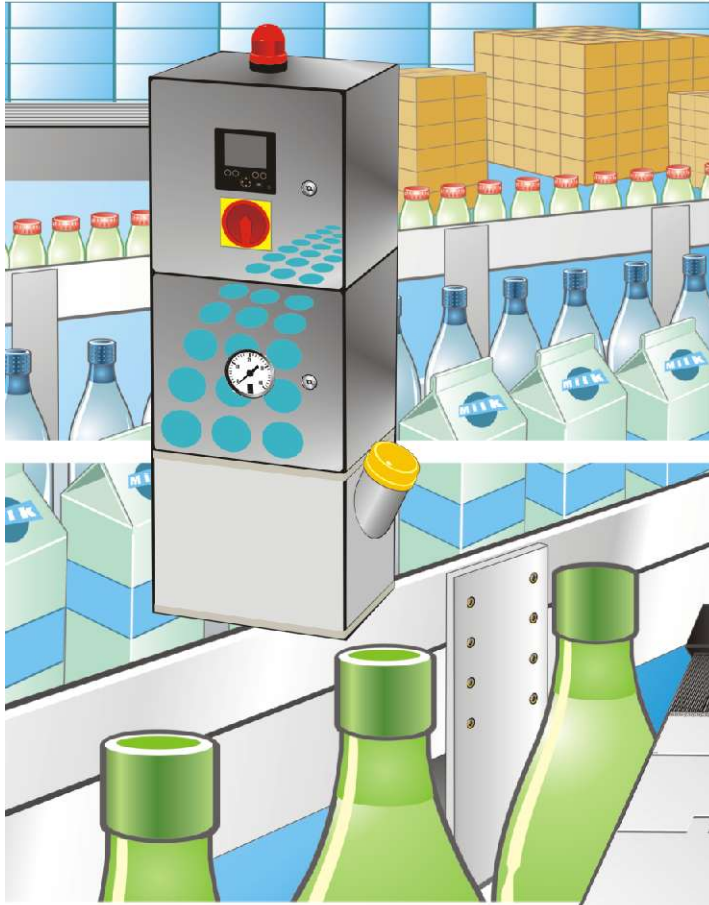
Central Lubrication. Dry Belt Lubrication.



Technology
you can
rely on

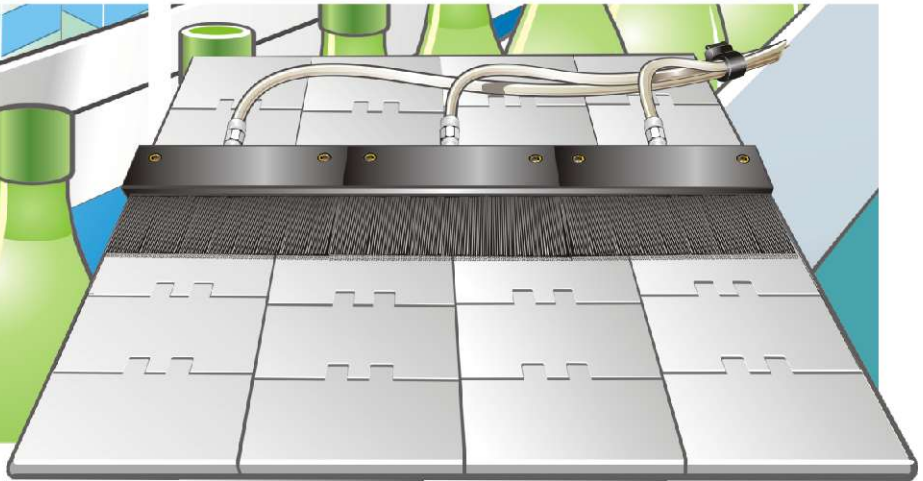
The Complete System Program for
Filling and Packaging Industries

The economic and environment-friendly alternative.



Conveyor belts in the filling and packaging industry are traditionally lubricated with water and soap. This procedure has decisive disadvantages, like e.g. enormous water consumption (results in high disposal costs), massive foam load (results in slippery floors), corrosion and of course- hygenic problems.

In addition to this, damages of the card board boxes can be a result due to high frictional force.



FoodLine stops all these problems!

Instead of spraying an enormous quantity of water, the FoodLine dry belt lubrication system applies an extremely fine film of dry belt lubrication agent onto the belts.

The lubrication intervals adjustment depends on use and capacity of the system.

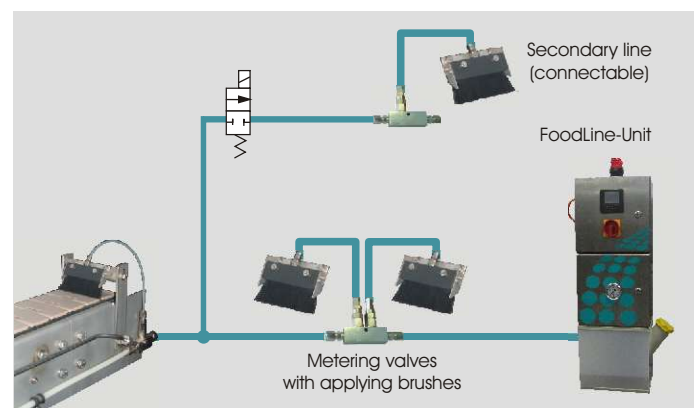
For an efficient lubrication, which saves the material to be conveyed as well as the conveyor itself.

Advantages of this innovative technology:

- Stops enormous water consume
- Reduces disposal costs
- Dry floors (work safety)
- Saving of packings
- Better belt sliding characteristics
- Decisive reduction of micro biology
- No more corrosion problems
- Reduction of the annual operating costs and increase of efficiency
- No unhealthy aerosoles

The system consists of the following components:

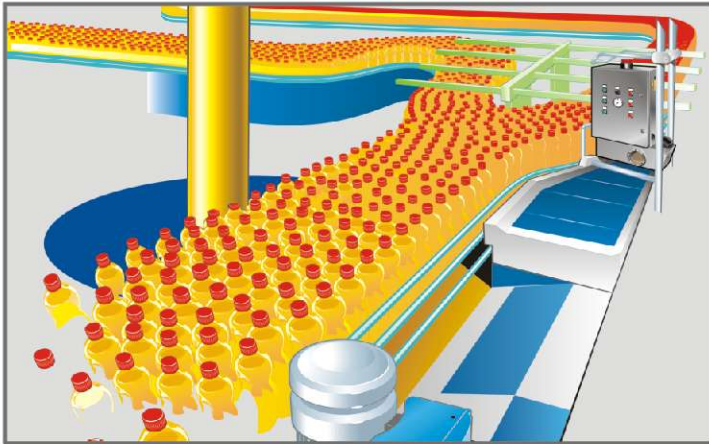
Pump unit, distributor strips, metering valves and applying brushes.



Working and break times of the system can be adjusted with the electronic control. Together with external signals, different lubrication cycles can be controlled.

The pre-lubrication button initiates an adjustable number of additional lubrication cycles in short intervals. This serves as intensive lubrication e.g. after cleaning the belts.

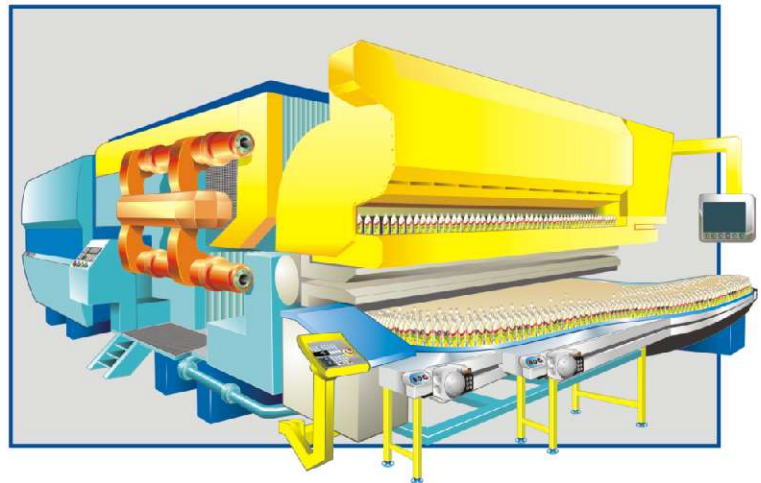
The effective way to reduce wear and costs



Automatic FoodLine maintenance systems supply all machines in the filling and packaging industry with lubricant.

Because belt conveyors, fillers, packaging machines, labelling and washing machines periodically need fresh lubricant to guarantee the necessary performance and operational reliability.

BEKA FoodLine offers lubrication solutions from small stand-alone machines up to complete filling lines.



Supply of single lubrication points

There are applications, which serve to supply just a little number of lubrication points. In this case FoodLine offers a cheap and easy alternative: The BEKALUB lubricator.

The BEKALUB lubricator is a battery-powered, autonomously working and refillable lubricating system. BEKALUB supplies exposed lubrication points of machines and plants of all kind. There is no need for any external power supply or control.

Solutions for stand-alone machines

It is not always necessary to fit a complete filling or packaging line with a large central lubrication system. Especially for retrofitting, often only single machines should be equipped.

BEKA offers a comprehensive program of different lubrication concepts like single line systems, multi line systems or progressive systems.

The selection of the most qualified system depends on the local circumstances like number of lubrication points, monitoring or distances. The layout for each application will be planned individually.

The dual line system: The network solution

To ensure smooth processes without operational disturbances, it is reasonable to combine many stand-alone machines to a network.

The tried-and-tested BEKA FoodLine dual line technology is especially suitable for long distances. The dual line system supplies all lubrication points of the whole filling or packaging line with just one pump. There is hardly a limit for the number of connected lubrication points.

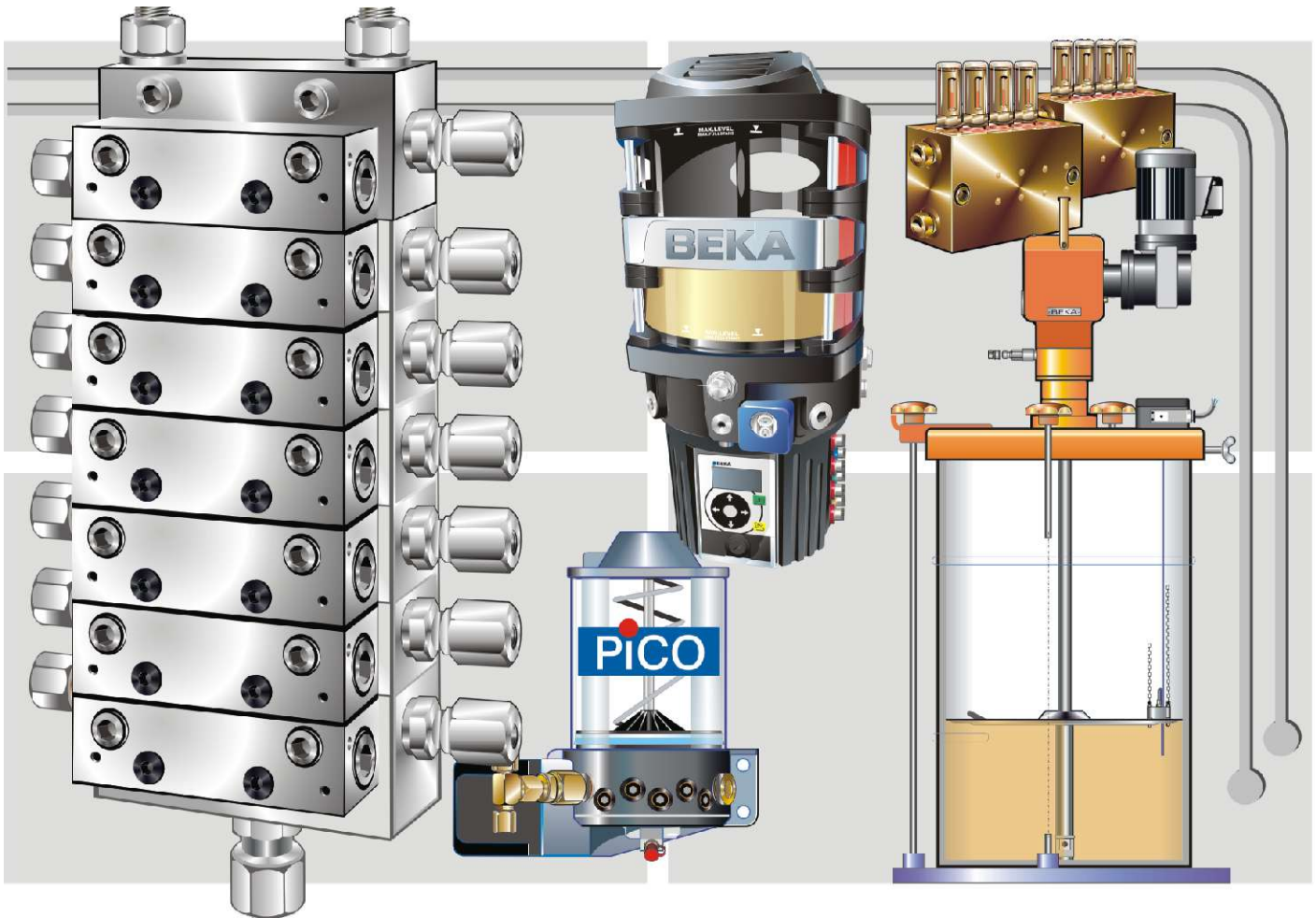
The individual lubrication system

The FoodLine sectional system represents the highest level of lubrication. It combines the flexibility of a stand-alone solution with the advantages of a network. The sectional system can be extended without limits and offers the possibility to monitor each single lubrication point.

The BEKA sectional system can be used for the cross-linking of a whole plant including peripheral parts like case transport or the handling of the empty bottles.

The whole system can be controlled by an existing PLC or a FoodLine controller with BUS technology and PDA connection.

Pumps, distributors and equipment.



Technology, you can rely on.

Central lubrication made by BEKA is appreciated by well-known manufacturers of machines and vehicles since 1927. BEKA develops and produces automatic maintenance systems for industrial applications of all kind - from compact to XXL.

Our main priority lies on the development of application-oriented solutions which perfectly hit the demands of our customers.

Lubrication pumps in all sizes

The BEKA product range offers an enormous variety of lubrication pumps:

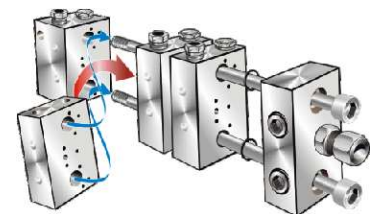
- With or without own drive
- With electrical, hydraulical, pneumatical or magnetical drive
- Various reservoir sizes
- Barrel pumps with electrical, hydraulical or pneumatical drive

All BEKA pumps are characterized by highest quality and operational reliability and are tried-and-tested all over the world.

The distributors with decisive advantages

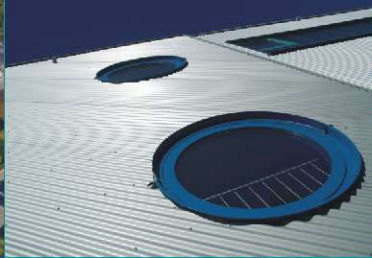
BEKA progressive distributors offer modular flexibility instead of rigid block layout. Caused by the proved disc design, BEKA progressive distributors can be adapted to the individual conditions at any time. Extensions or modifications of the feed rates can be realized without any problems.

The better concept:
Modular design of
a MX-F distributor
(stainless steel)



Advantages of BEKA progressive distributors:

- Individual feed rates for each lubricating point
- Modular disc design
- Compact layout and lower costs
- Easy conversion with compatible dimensions
- Later adaption of feed rates possible
- Also suitable in stainless steel



INNOVATION

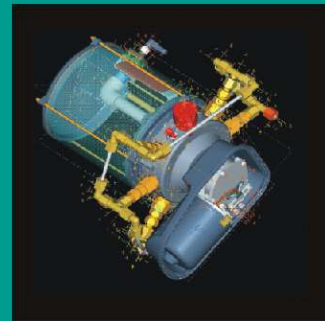
The system provider all around central lubrication:

- Layout
 - Production
 - Installation
 - Service
- coming from a single source!

Priority Research & Development.

10 % of the BEKA staff works in R&D departments – because good ideas are the most important capital of an innovative company.

- No outsourcing, but own know-how and competencies
- High level of investments in R&D
- Not the same standard product for all, but customized solutions



The production: Innovative, flexible, precise.

BAIER + KÖPPEL has a high vertical range of manufacturing. The production site in Pegnitz comprehends about 12.000m², the branch factory Wannberg about 4.000m².

- Modern machine park for efficient production with highest precision
- Optimized processes for short-term realization of customer-specific requirements



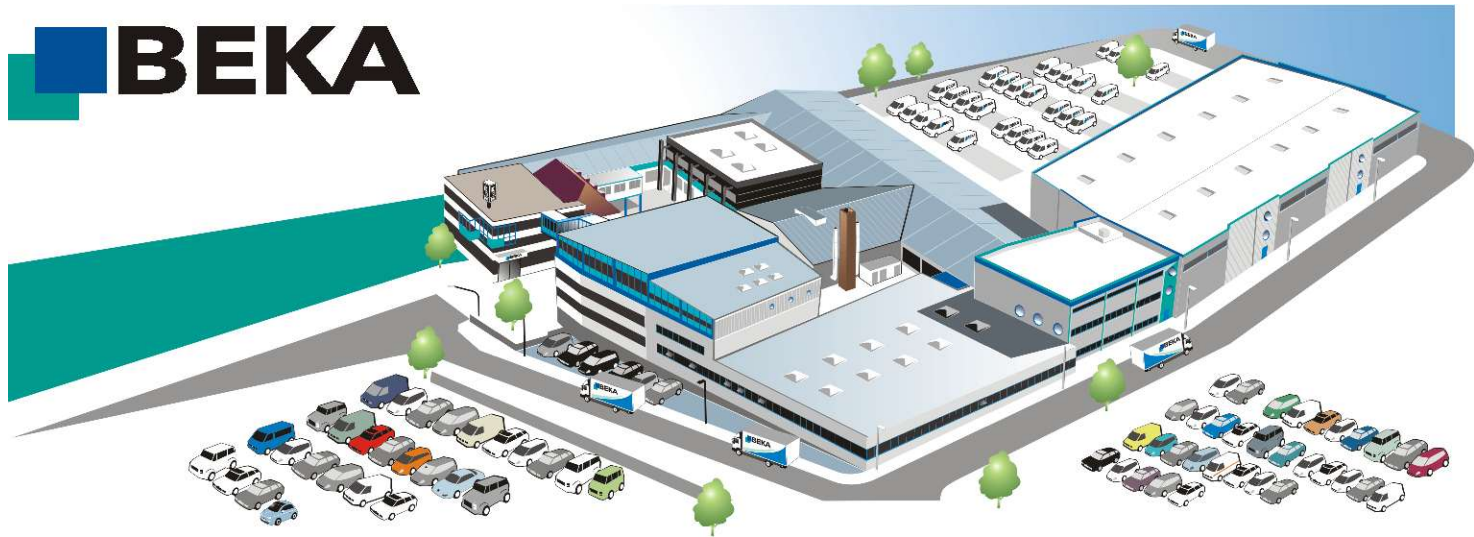
Quality, you can rely on.

The contentment of our customers is our most important capital. It depends mainly on the quality of our products. For that reason, the quality assurance plays a central role at BAIER + KÖPPEL.

- Quality assurance with latest test procedures
- Quality management according to ISO 9001:2008
- Environmental management according to DIN EN ISO 14001:2009



Our experts will be pleased to support you in all questions around central lubrication!



BAIER + KÖPPEL GMBH + CO KG
PRÄZISIONSAPPARATEFABRIK

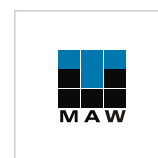
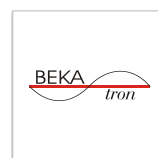
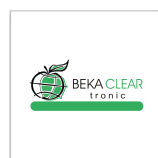
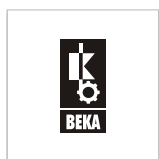
BEETHOVENSTRASSE 14
91 257 PEGNITZ/BAVARIA

PO BOX 13 20
91 253 PEGNITZ/BAVARIA

GERMANY

fon +49 9241 729-0
fax +49 9241 729-50

e-mail beka@beka-lube.de
web www.beka-lube.de



Partners

AUSTRIA

BEKA-Lube GmbH
Carola-Blome-Str. 7
5020 Salzburg
fon +43 662 43 84 40
fax +43 662 43 84 403
e-mail office@beka-lube.at

CHINA

EAST TSANHAIR COMPANY LTD.
7A Building, Medicine Valley No.1,
No.9 Tianfu Street, Bio-Medicine Park,
Zhongguancun Science Park,
Daxing District, Beijing, China 102600
fon +86 10 83 681 526
fax +86 10 83 681 520
e-mail beka-lube@bekachina.com

KOREA

BAIER + KÖPPEL Korea Liaison Office
A-1406, Sunyudo Woolim Lions Valley
Yangpyeong-dong 5-ga
Yeongdeungpo-gu, Seoul (150-984)
fon +82 2 2038 0988
fax +82 2 2038 8934
e-mail sales@bekaworld.kr

TURKEY

BEKAMAKS MAKINA SANAYI ve TICARET
LTD. STI, Kucukyali Ticaret Merkezi
B Blok No. 7 Girne Mah.
34852 Maltepe / Istanbul
fon +90 216 367 34 00
fax +90 216 367 33 85
e-mail info@bekamaks.com

BELGIUM

BEKA LUBE N.V.S.A.
Demerstraat 32
BE 3200 Aarschot
fon +32 16 64 09 26
fax +32 16 64 05 48
e-mail bekalube@skynet.be

FRANCE

BEKALUBE FRANCE
4, bis Rue de l'Artisanat
89100 Paron
fon +33 386 83 39 06
fax +33 386 65 52 24
e-mail contacts@bekalube.fr

NETHERLANDS

BEKA NEDERLAND B.V.
Wagenmakerij 11
4762 AV Zevenbergen
fon +31 168 37 15 38
fax +31 168 33 83 29
e-mail info@beka.nl

USA

BEKAWORLD LP
2775 North Hills Drive
Atlanta Georgia 30305 USA
fon +1 404 841 1133
fax +1 404 841 1196
cell +1 404 398 2165
e-mail s.pitman@bekaworld.co

CANADA

BEKA-LUBE Products Inc.
2830 Argenta Road, Unit 9
Mississauga ON L5N 8G4
fon +1 905 821 10 50
fax +1 905 858 05 97
e-mail info@beka-lube.com

ITALY

BEKALUBE s.r.l.
Via Rossi 152
20043 Arcore
fon +39 039 618 00 88
fax +39 039 61 75 23
e-mail bekalube@bekalube.it

SPAIN

BEKA-LUBE IBERICA S.L.
Avda. de Suiza, 3 P.A.L. Coslada
28820 Coslada (Madrid)
fon +34 91 670 78 00
fax +34 91 670 78 413
e-mail beka@beka-lube.es



Subsidiaries

Argentina	Great Britain	Latvia	Slovakia
Australia	Greece	Lithuania	Slovenia
Belarus	Hong Kong	Luxemburg	South Africa
Bosnia	Hungaria	Malaysia	Sweden
Brazil	India	New Zealand	Switzerland
Croatia	Indonesia	Norway	USA
Czechia	Iceland	Poland	and others
Denmark	Ireland	Portugal	
Estonia	Japan	Russia	
Finland	Korea	Serbia	